



SUZUKI
MARINE

Parts Book

DT 9.9 (77-79)

DT 14 (77-79)

DT 16 (77-79)

PREFACE

This parts catalogue has been arranged to include all prior modification as the final edition.

No revised edition will be issued any more and be sure to make use of this in good keeping.

Upon receipt of this final edition, the old catalogue should be thrown away.

This parts catalogue covers the list of all service parts for SUZUKI DT9.9~DT28 (C, D, F).

A. INSTRUCTIONS FOR QUOTING THE CATALOGUE

1. DIMENSIONS

Dimensions of the parts in this catalogue are indicated in unit millimeters.

2. ABBREVIATIONS

Abbreviations used in this catalogue are as follows:

| | | | |
|-------|------------------------|-----------|-------------------|
| AR | : As required | NT | : Number of teeth |
| ASSY | : Assembly | OPT | : Optional |
| E.No. | : Engine Number | OS | : Over Size |
| F.No. | : Frame Number | STD | : Standard |
| d | : Diameter of material | T | : Thickness |
| ID | : Inside diameter | US | : Under size |
| OD | : Outside diameter | W | : Width |
| L | : Length | S,L,UL,LL | : Transom type |

~100045 : Up to E.No.-100045

100046~ : From E.No.-100046

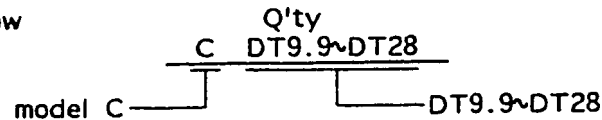
12 x 34 x 5.6 Figures in the description column show the dimensions of parts.

ID OD T(or W,L)

To 12340-56781 (Parts No.) : indicates that the parts number was changed to 12345-56781 and the new parts are interchangeable with the former ones but the former ones are not interchangeable with new ones.

From 12345-56781 (Parts No.) : indicates that the former and new parts are interchangeable with each other and both are usable.

The number of letter shown below Q'ty indicate the MODEL NAME as shown right side.



3. INNER PARTS OF ASSEMBLY

Parts number that have a period (.) mark in front of the part description on a text page are separately serviced parts of the assembly.

4. MODIFICATION NOTICE

A parts bulletin will be sent to you on all occasions when changes in parts occur, including interchangeable modifications between new parts and old ones.

5. NOTE

5-1. There are some different parts from those of production models among spare parts for the administrative reasons and common use of them with other models.

5-2. In respect of rubber hoses and vinyl tubes, please be sure to use them by cutting off according to the length mentioned on parts catalogue or what is actually required on the vehicle.

5-3. Note that the drawings on the illustration page are for ready reference of spare parts number, not to be used as an assembly manual. When assembling, use "SUZUKI SERVICE MANUAL".

6. SPECIFICATION CODE

This catalogue contains the parts for the model designed for the following spec.;

spec. code: DT9.9C (E1, E13, E28), DT9.9D (E1, E3, E13), DT9.9F (E1, E3, E9, E13, E38), DT9.9YD (E1), DT9.9YF (E1, E3), DT14C (E1, E13, E28), DT14D (E1, E13), DT14F (E1, E13, E38), DT16C (E1, E13, E28, E37), DT16D (E1, E3, E13), DT16F (E1, E3, E9, E13, E38), DT20C (E1, E13, E28), DT20D (E1, E3, E13), DT20F (E1, E3, E9, E13), DT25C (E1, E13, E28, E37), DT25D (E1, E3, E13), DT25F (E1, E3, E9, E13), DT28F (E1, E9)

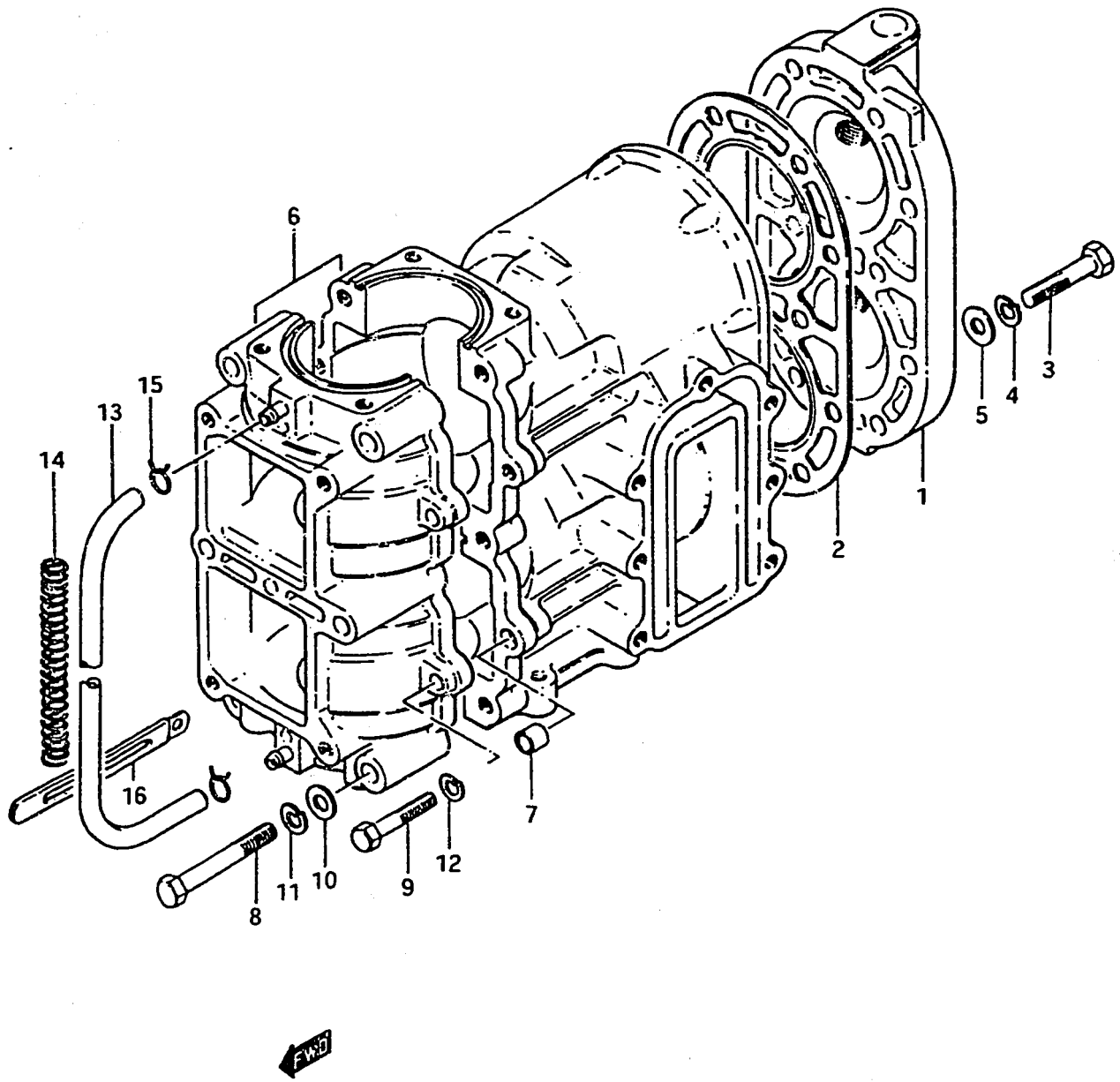
7. SERIAL FRAME NUMBER

C-10001~, D-10001~, F-10001~

FIG.1

C - 2

FIG.1 CYLINDER

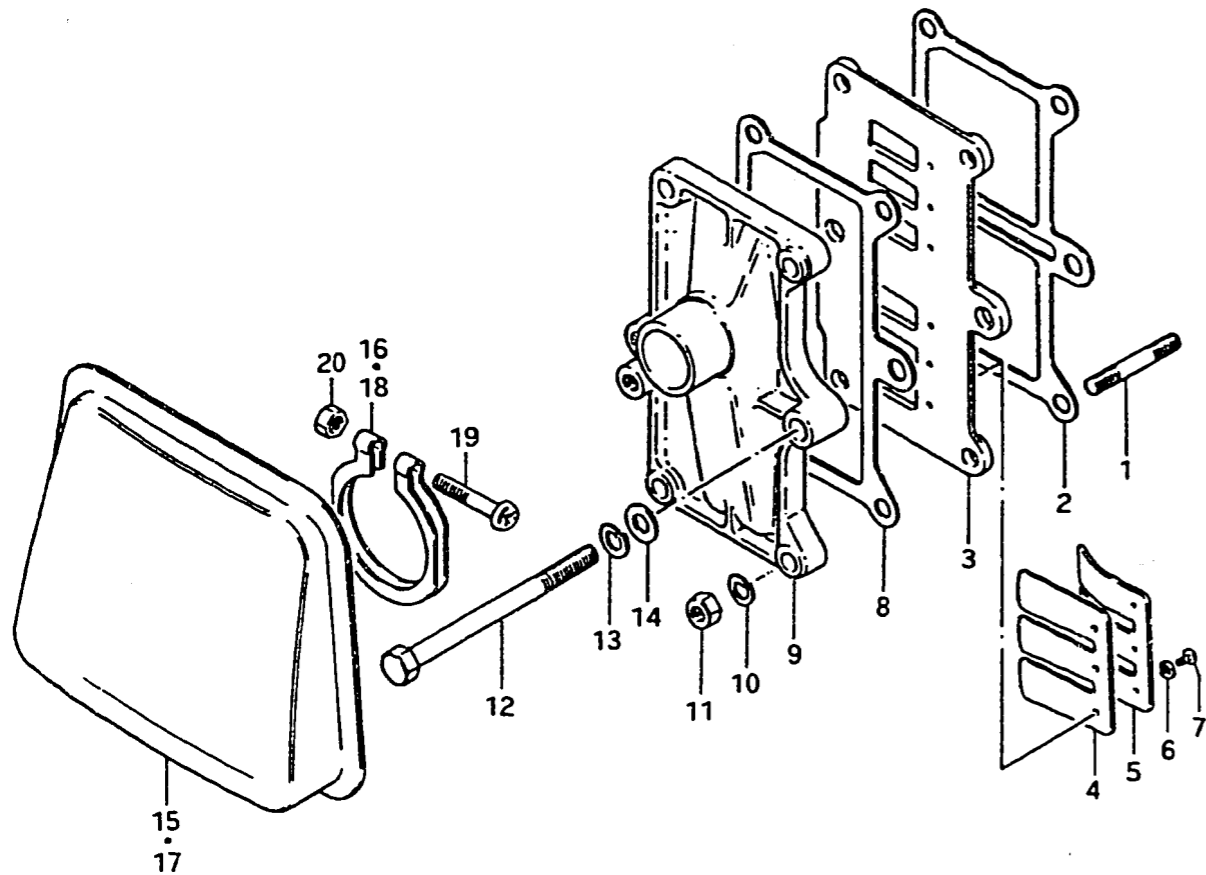


| Ref. No. | Part No. | Description | Q'ty | | | Remarks |
|----------|-----------------|---|------|----|----|--|
| | | | C | D | F | |
| 1-1 | 11110-93201-01J | CYLINDER HEAD (DT9.9,DT14) | 1 | 1 | 1 | to 11110-93202-01J |
| 1-2 | 11110-93101-01J | CYLINDER HEAD (DT16) | 1 | 1 | 1 | to 11110-93102-01J |
| 2-1 | 11141-93630 | GASKET, cylinder head (DT9.9) | 1 | 1 | 1 | |
| 2-2 | 11141-93251 | GASKET, cylinder head (DT14) | 1 | 1 | 1 | |
| 2-3 | 11141-93151 | GASKET, cylinder head (DT16) | 1 | 1 | 1 | |
| 3 | 01107-08358 | BOLT | 10 | 10 | 10 | |
| 4 | 08321-21088 | LOCK WASHER | 10 | 10 | 10 | |
| 5 | 08322-11088 | WASHER | 10 | 10 | 10 | |
| 6-1 | 11300-93834-01J | CYLINDER/CRANKCASE ASSY (DT9.9,DT14) | 1 | - | - | to 11300-93835-01J |
| 6-2 | 11300-93836-01J | CYLINDER/CRANKCASE ASSY (DT9.9,DT14) | - | 1 | - | from 11300-93835-01J to 11300-93837-01J |
| 6-3 | 11300-93838-01J | CYLINDER/CRANKCASE ASSY (DT9.9,DT14) | - | - | 1 | from 11300-93837-01J |
| 6-4 | 11300-93814-01J | CYLINDER/CRANKCASE ASSY (DT16) | 1 | - | - | to 11300-93815-01J |
| 6-5 | 11300-93816-01J | CYLINDER/CRANKCASE ASSY (DT16) | - | 1 | - | from 11300-93815-01J to 11300-93817-01J |
| 6-6 | 11300-93818-01J | CYLINDER/CRANKCASE ASSY (DT16) | - | - | 1 | from 11300-93817-01J |
| 7 | 04211-09109 | ·DOWEL PIN | 2 | 2 | 2 | |
| 8 | 01107-08558 | ·BOLT | 4 | 4 | 4 | |
| 9 | 01107-06408 | ·BOLT | 4 | 4 | 4 | |
| 10 | 08322-11088 | ·WASHER | 4 | 4 | 4 | |
| 11 | 08321-21088 | ·LOCK WASHER | 4 | 4 | 4 | |
| 12 | 08321-21068 | ·LOCK WASHER | 4 | 4 | 4 | |
| 13 | 09343-03016 | HOSE, lubrication | 1 | 1 | 1 | L:235→220 |
| 14 | 09440-08012 | SPRING, hose protector | 1 | 1 | - | to 09404-06402 |
| 15 | 09401-06401 | CLIP, hose | 2 | 2 | 2 | to 09401-06403 |
| 16 | 09404-06402 | CLAMP, hose (L:60) | - | - | 1 | to 09404-06412 |

FIG.2

C - 3

FIG.2 INLET CASE - REED VALVE

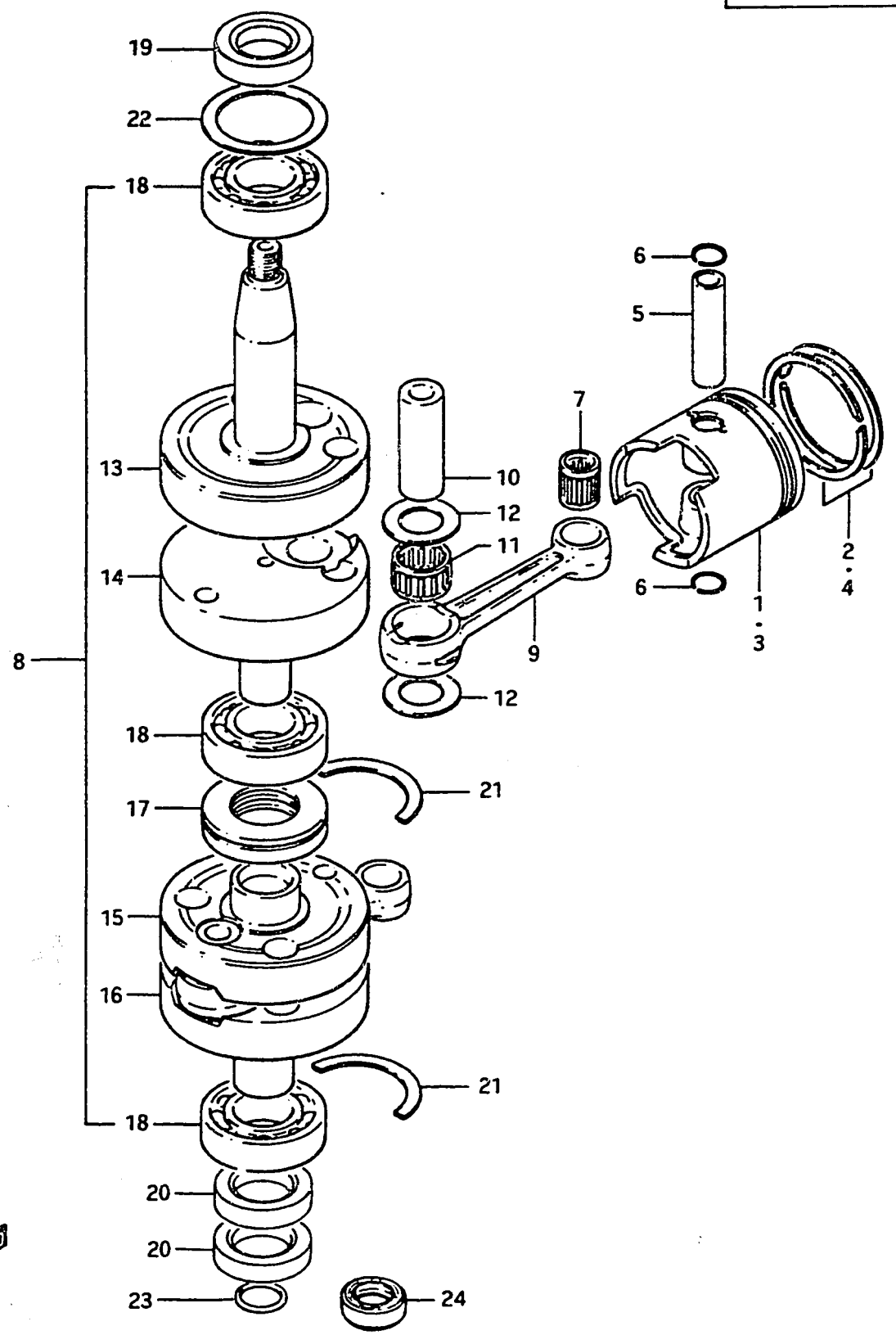


| Ref. No. | Part No. | Description | Q'ty | | | Remarks |
|----------|-----------------|-----------------------------|------|---|---|----------------------|
| | | | C | D | F | |
| 1 | 01421-06258 | STUD BOLT | 4 | 4 | 4 | |
| 2 | 13122-93100 | GASKET, valve seat | 1 | 1 | 1 | |
| 3 | 13150-93110 | VALVE ASSY, reed | 1 | 1 | 1 | |
| 4 | 13153-65010 | -VALVE, reed | 2 | 2 | 2 | |
| 5 | 13152-65011 | -STOPPER, reed valve | 2 | 2 | 2 | |
| 6 | 08321-21038 | -LOCK WASHER | 6 | 6 | 6 | |
| 7 | 02112-03068 | -SCREW | 6 | 6 | 6 | |
| 8-1 | 13121-93100 | GASKET, inlet case (T:0.5) | 1 | 1 | - | to 13121-93101 |
| 8-2 | 13121-93101 | GASKET, inlet case (T:1.0) | - | 1 | 1 | |
| 9-1 | 12481-93630-01J | CASE, inlet (DT9.9) | 1 | 1 | - | to 12481-93631-01J |
| 9-2 | 12481-93631-01J | CASE, inlet | - | 1 | 1 | |
| 9-3 | 12481-93101-01J | CASE, inlet (DT14,DT16) | 1 | 1 | 1 | from 12481-93100-01J |
| 10 | 08321-21068 | LOCK WASHER | 4 | 4 | 4 | |
| 11 | 08310-11068 | NUT | 4 | 4 | 4 | |
| 12 | 01107-08908 | BOLT | 2 | 2 | 2 | |
| 13 | 08321-11088 | LOCK WASHER | 2 | 2 | 2 | |
| 14 | 08322-21088 | WASHER | 2 | 2 | 2 | |
| 15 | 13811-93630 | SILENCER (DT9.9) | - | 1 | 1 | |
| 16 | 09402-31801 | CLAMP, silencer (DT9.9) | - | 1 | 1 | |
| 17 | 13811-93100 | SILENCER (DT14,DT16) | - | 1 | 1 | |
| 18 | 09402-44801 | CLAMP, silencer (DT14,DT16) | - | 1 | 1 | |
| 19 | 02112-06308 | SCREW | - | 1 | 1 | |
| 20 | 08310-11068 | NUT | - | 1 | 1 | |

FIG.3

C - 4

FIG.3 CRANKSHAFT

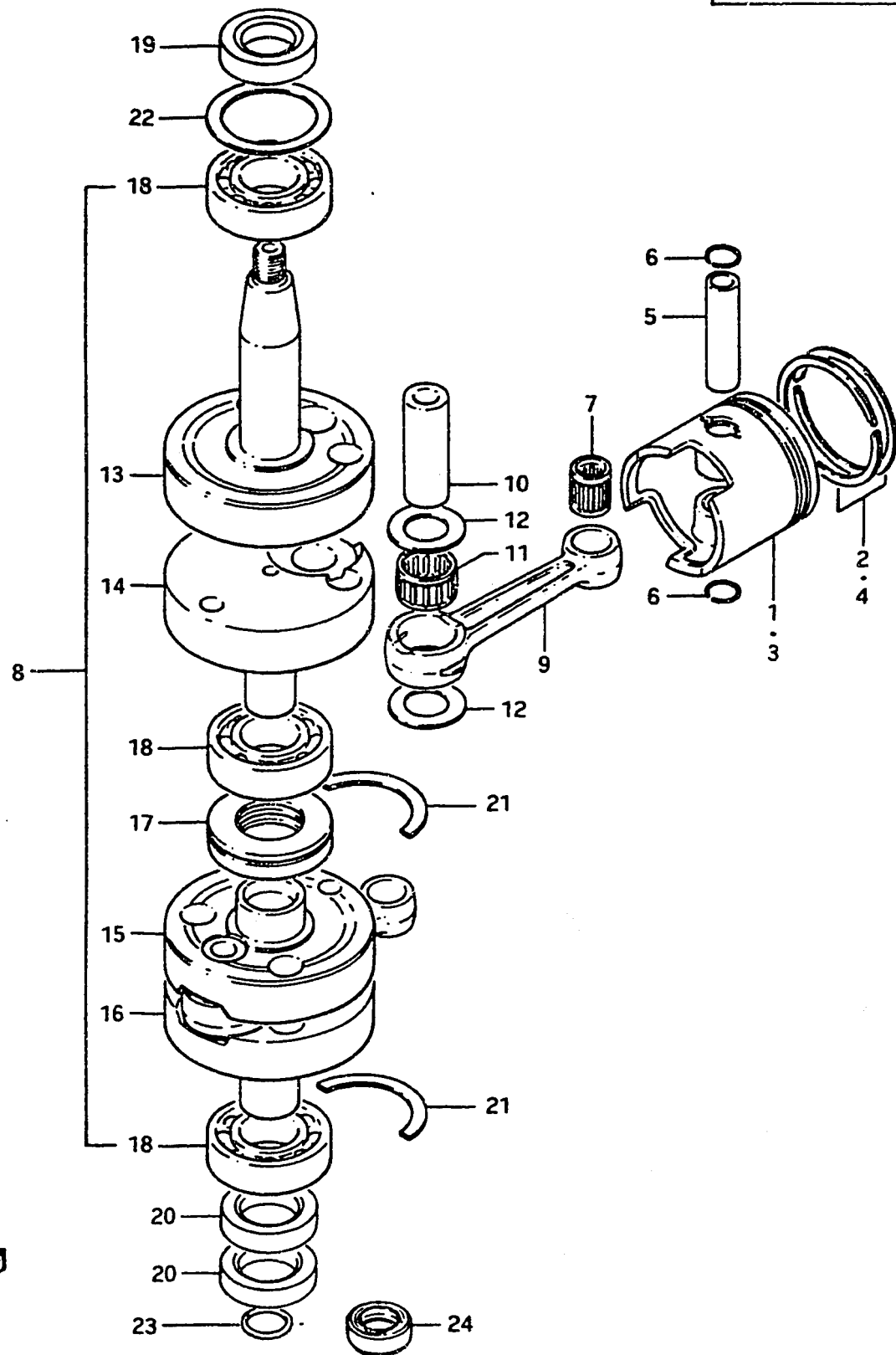


| Ref. No. | Part No. | Description | Q'ty | | | Remarks |
|----------|-----------------|--------------------------|------|---|---|--------------------|
| | | | C | D | F | |
| 1-1 | 12110-93201 | PISTON | 2 | 2 | 2 | |
| 1-2 | 12110-93740 | PISTON | 2 | 2 | - | to 12110-93201-025 |
| 1-3 | 12110-93201-025 | PISTON | - | - | 2 | OS:0.25,OPT |
| 1-4 | 12110-93750 | PISTON | 2 | 2 | - | to 12110-93201-050 |
| 1-5 | 12110-93201-050 | PISTON | - | - | 2 | OS:0.5,OPT |
| 2-1 | 12140-28010 | RING SET, piston | 2 | 2 | 2 | |
| 2-2 | 12140-28760 | RING SET, piston | 2 | 2 | - | to 12140-28010-025 |
| 2-3 | 12140-28010-025 | RING SET, piston | - | - | 2 | OS:0.25,OPT |
| 2-4 | 12140-28710 | RING SET, piston | 2 | 2 | - | to 12140-28010-050 |
| 2-5 | 12140-28010-050 | RING SET, piston | - | - | 2 | OS:0.5,OPT |
| 3-1 | 12110-93101 | PISTON | 2 | 2 | 2 | |
| 3-2 | 12110-93760 | PISTON | 2 | 2 | - | to 12110-93101-025 |
| 3-3 | 12110-93101-025 | PISTON | - | - | 2 | OS:0.25,OPT |
| 3-4 | 12110-93770 | PISTON | 2 | 2 | - | to 12110-93101-050 |
| 3-5 | 12110-93101-050 | PISTON | - | - | 2 | OS:0.5,OPT |
| 4-1 | 12140-93112 | RING SET, piston | 1 | 1 | - | to 12140-93113 |
| 4-2 | 12140-93113 | RING SET, piston | - | - | 2 | |
| 4-3 | 12140-93760 | RING SET, piston | 1 | 1 | - | to 12140-93113-025 |
| 4-4 | 12140-93113-025 | RING SET, piston | - | - | 2 | OS:0.25,OPT |
| 4-5 | 12140-93770 | RING SET, piston | 1 | 1 | - | to 12140-93113-050 |
| 4-6 | 12140-93113-050 | RING SET, piston | - | - | 2 | OS:0.5,OPT |
| 5-1 | 12151-28000 | PIN, piston (DT9.9,DT14) | 2 | 2 | 2 | to 12151-28001 |
| 5-2 | 12151-93100 | PIN, piston (DT16) | 2 | 2 | 2 | |
| 6 | 09381-14001 | CIRCLIP, piston pin | 4 | 4 | 4 | |
| 7 | 09263-14006 | BEARING, piston pin | 2 | 2 | 2 | |

FIG.3

C - 5

FIG.3 CRANKSHAFT



| Ref. No. | Part No. | Description | Q'ty | | | Remarks |
|----------|-------------|----------------------------|------|----|---|-----------------------------|
| | | | C | D | F | |
| 8-1 | 12200-93811 | CRANKSHAFT ASSY | 1 | - | - | to 12200-93812 |
| 8-2 | 12200-93812 | CRANKSHAFT ASSY | - | 1 | - | to 12200-93840 |
| 8-3 | 12200-93813 | CRANKSHAFT ASSY | - | - | 1 | to 12200-93814 |
| 9 | 12161-23000 | •ROD, connecting | 2 | 2 | 2 | |
| 10-1 | 12211-03000 | •PIN, crank | 2 | - | - | to 12211-03001 |
| 10-2 | 12211-03001 | •PIN, crank | - | 2 | 2 | to 12211-10300 |
| 10-3 | 12211-10300 | •PIN, crank | - | - | 2 | to 12211-10301 |
| 11-1 | 09263-19007 | •BEARING, crank pin | 2 | 2 | - | 19x25x16 to 09263-19009 |
| 11-2 | 09263-19009 | •BEARING, crank pin | - | - | 2 | 19x25x16 |
| 12 | 09160-19001 | •THRUST WASHER | 4 | 4 | 4 | 19x32x1 |
| 13-1 | 12221-93100 | •CRANKSHAFT, upper | 1 | 1 | 1 | to 12221-93101 |
| 13-2 | 12221-93101 | •CRANKSHAFT, upper | - | - | 1 | to 12221-93102 |
| 14-1 | 12231-93100 | •CRANKSHAFT, middle | 1 | 1 | 1 | to 12231-93101 |
| 14-2 | 12231-93101 | •CRANKSHAFT, middle | - | - | 1 | to 12231-93102 |
| 15 | 12232-93100 | •WHEEL, middle crank | 1 | 1 | 1 | |
| 16-1 | 12240-93101 | •CRANKSHAFT, lower | 1 | 1 | - | |
| 16-2 | 12240-93102 | •CRANKSHAFT, lower | - | - | 1 | to 12240-93103 |
| 17 | 12321-93100 | •SEAL, labyrinth | 1 | 1 | 1 | |
| 18 | 09262-25040 | •BEARING, crankshaft | 3 | 3 | 3 | 25x52x15 |
| 19 | 09283-25057 | OIL SEAL, upper crankshaft | 1 | 1 | 1 | 25x44x7 |
| 20 | 09283-25070 | OIL SEAL, lower crankshaft | 2 | 2 | 2 | 25x38x8 from 09283-25031 |
| 21 | 09390-52005 | RING, thrust | 2 | 2 | 2 | |
| 22 | 09181-41001 | SHIM, upper crankshaft | | AR | | 41x52x0.6 |
| 23 | 09280-15002 | O RING, lower crankshaft | 1 | 1 | - | ID:14.5,d:1.9 |
| 24 | 09289-15004 | OIL SEAL, drive shaft | - | - | 1 | 15x25x7 to 09289-15009 |

FIG.4

C - 6

FIG.4 CARBURETOR (DT9.9)

| Ref. No. | Part No. | Description | Q'ty | | | Remarks |
|----------|-------------|----------------------------------|------|---|---|---------------------------------|
| | | | C | D | F | |
| 1-1 | 13200-93630 | CARBURETOR ASSY | 1 | - | - | Stamp:93630 |
| 1-2 | 13200-93631 | CARBURETOR ASSY | - | 1 | - | Stamp:93631 from 13200-93630 |
| 1-3 | 13200-93632 | CARBURETOR ASSY | - | - | 1 | Stamp:93632 |
| 2 | 13254-01010 | •PIN, float | 1 | 1 | 1 | |
| 3 | 13392-01010 | •GASKET, valve seat | 1 | 1 | 1 | |
| 4 | 09492-20002 | •JET, pilot (20) | 1 | 1 | 1 | |
| 5 | 13251-98011 | •GASKET, float chamber | 1 | 1 | 1 | |
| 6 | 13252-02010 | •FOLAT | 1 | 1 | 1 | |
| 7 | 13691-98010 | •GASKET | 1 | 1 | 1 | |
| 8 | 09491-30001 | •JET, main (150) | 1 | 1 | 1 | |
| 9 | 09494-00071 | •JET, needle | 1 | 1 | 1 | |
| 10 | 13383-19600 | •NEEDLE, jet | 1 | 1 | 1 | |
| 11 | 13551-98012 | •VALVE, throttle (CA:2.0) | 1 | 1 | 1 | |
| 12 | 13394-12110 | •CLIP, needle | 1 | 1 | 1 | |
| 13 | 13581-01010 | •SEAT, valve spring | 1 | 1 | 1 | |
| 14 | 13573-01010 | •SPRING, valve return | 1 | 1 | 1 | |
| 15-1 | 13267-98010 | •SCREW, throttle valve stop | 1 | 1 | - | |
| 15-2 | 13267-93600 | •SCREW, throttle valve stop | - | - | 1 | |
| 16 | 13268-95110 | •SPRING, stop screw | 2 | 2 | 2 | |
| 17 | 13577-98011 | •ADJUSTER, throttle cable | 1 | 1 | 1 | |
| 18-1 | 13661-03010 | •NUT, adjuster | 1 | 1 | - | |
| 18-2 | 13661-16600 | •NUT, adjuster | - | - | 1 | |
| 19 | 13269-01010 | •SCREW, pilot air | 1 | 1 | 1 | |
| 20 | 13413-93630 | •LEVER ASSY, startewr | 1 | 1 | 1 | |
| 21 | 13370-93631 | •VALVE ASSY, needle (V.S:1.3) | 1 | 1 | 1 | from 13370-23010 |
| 22 | 13601-03068 | •SCREW | 4 | 4 | 4 | |
| 23 | 13571-96110 | •LOCK WASHER | 4 | 4 | 4 | |
| 24 | 13631-99002 | KNOB, starter | 1 | 1 | 1 | to 13631-93500 |
| 25 | 09305-04003 | BUSHING, starter guide | 1 | 1 | 1 | |
| 26-1 | 09491-29008 | JET, main (145) | 1 | 1 | 1 | } OPT |
| 26-2 | 09491-28001 | JET, main (140) | 1 | 1 | 1 | |
| 26-3 | 09491-31006 | JET, main (155) | 1 | 1 | 1 | |

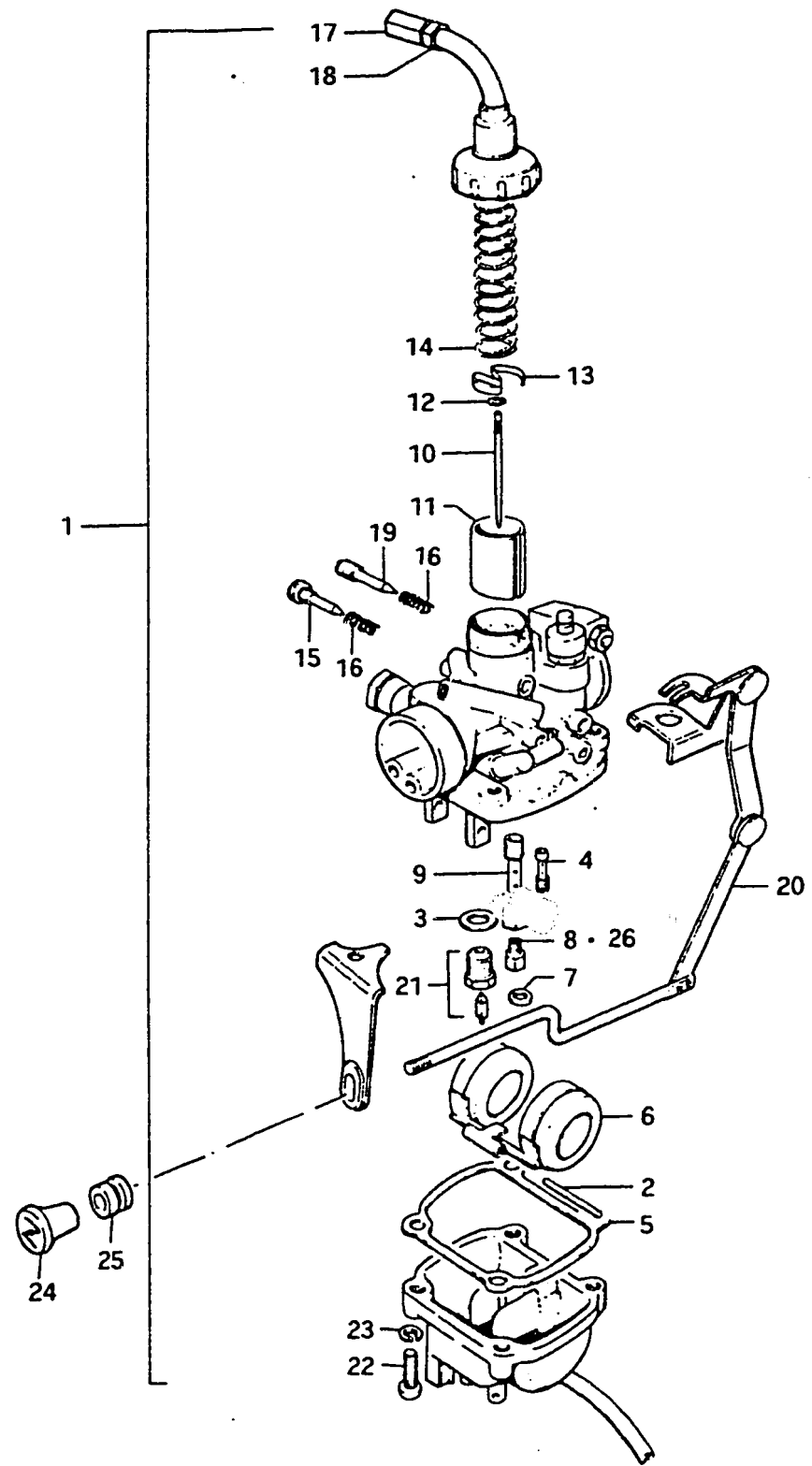
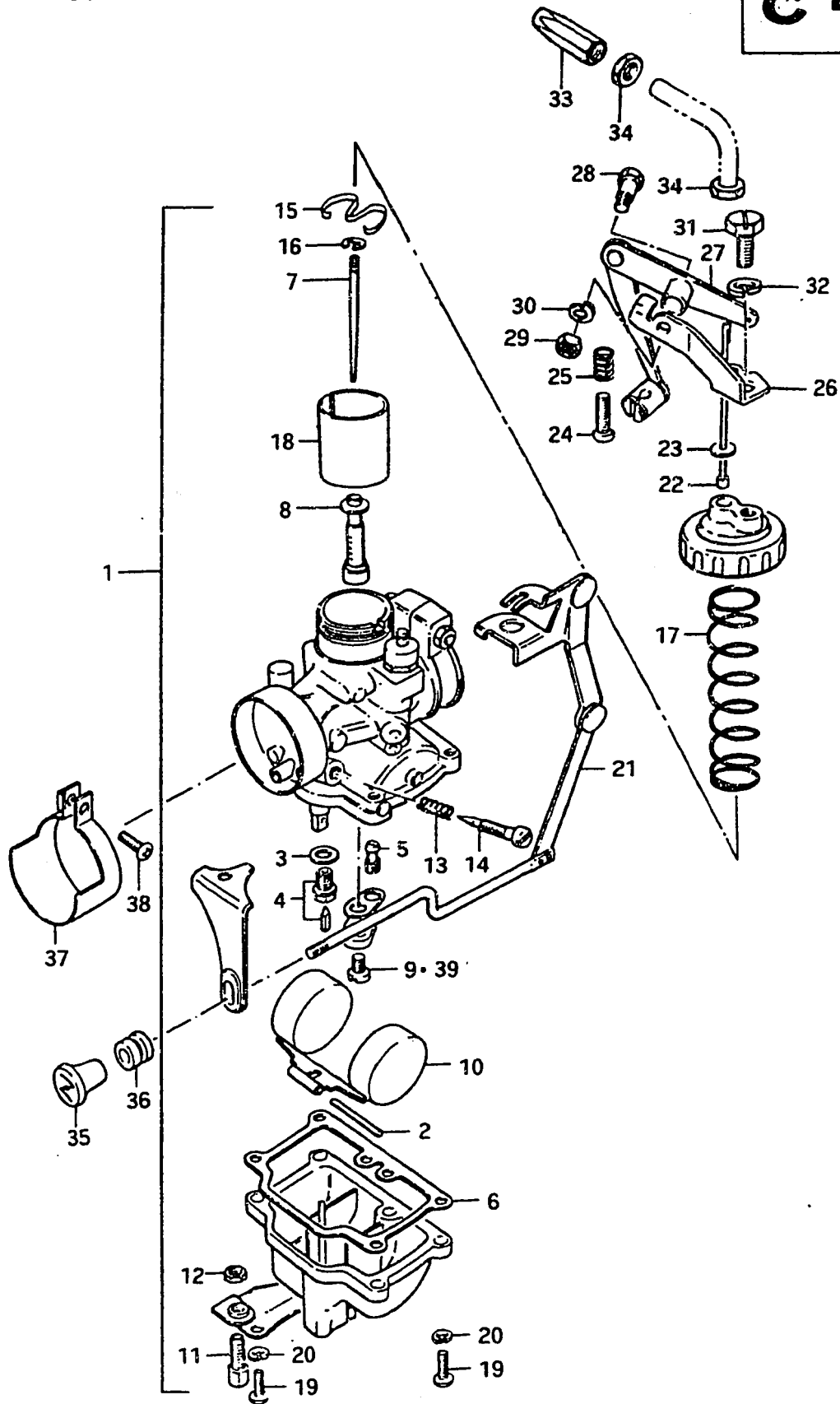


FIG.5 (C-7, 8) : DT14
 FIG.6 (C-9, 10) : DT16

FIG.5

C - 7

FIG.5 CARBURETOR (DT14)



| Ref. No. | Part No. | Description | Q'ty | | | Remarks |
|----------|-------------|--------------------------------|------|---|---|----------------------|
| | | | C | D | F | |
| 1-1 | 13200-93212 | CARBURETOR ASSY to 13200-93213 | 1 | - | - | stamp:93212 |
| 1-2 | 13200-93213 | CARBURETOR ASSY to 13200-93214 | - | 1 | - | ~D-10024 stamp:93213 |
| 1-3 | 13200-93214 | CARBURETOR ASSY to 13200-93215 | - | 1 | - | ~D-10645 stamp:93214 |
| 1-4 | 13200-93215 | CARBURETOR ASSY | - | 1 | - | stamp:93215 |
| 1-5 | 13200-93216 | CARBURETOR ASSY | - | - | 1 | stamp:93216 |
| 2-1 | 13254-35013 | •PIN, float | 1 | 1 | - | |
| 2-2 | 13254-01010 | •PIN, float | - | 1 | 1 | |
| 3 | 13392-01010 | •GASKET, valve seat | 1 | 1 | 1 | |
| 4 | 13370-12110 | •VALVE ASSY, needle | 1 | 1 | 1 | |
| 5-1 | 09492-35004 | •JET, pilot (35) | 1 | - | - | |
| 5-2 | 09492-45009 | •JET, pilot (45) | - | 1 | 1 | |
| 6 | 13251-99011 | •GASKET, float chamber | 1 | 1 | 1 | |
| 7-1 | 13383-93110 | •NEEDLE, jet | 1 | - | - | |
| 7-2 | 13303-93111 | •NEEDLE, jet | - | 1 | 1 | |
| 8-1 | 09494-00140 | •NOZZLE, needle | 1 | - | - | |
| 8-2 | 09494-00203 | •NOZZLE, needle | - | 1 | 1 | |
| 9-1 | 09491-31001 | •JET, main (155) | 1 | - | - | |
| 9-2 | 09491-28005 | •JET, main (140) | - | 1 | 1 | |
| 10-1 | 13252-93210 | •FLOAT | 1 | - | - | |
| 10-2 | 13252-08210 | •FLOAT | - | 1 | 1 | |
| 11 | 13577-22600 | •ADJUSTER, cable | 1 | 1 | - | |
| 12 | 13661-03010 | NUT, adjusting | 1 | 1 | - | |
| 13 | 13271-96110 | •SPRING, air screw | 1 | 1 | 1 | |
| 14 | 13269-99010 | •SCREW, pilot air | 1 | 1 | 1 | |
| 15 | 13581-36600 | •SEAT, valve spring | 1 | 1 | 1 | |
| 16 | 13394-10010 | •CLIP, needle | 1 | 1 | 1 | |
| 17 | 13573-93110 | •SPRING, throttle valve | 1 | 1 | 1 | to 13573-36110 |
| 18 | 13551-93110 | •VALVE, throttle (CA:1.5) | 1 | 1 | 1 | |
| 19 | 13601-03068 | •SCREW | 4 | 4 | 4 | |
| 20 | 13571-96110 | •LOCK WASHER | 4 | 4 | 4 | |
| 21 | 13413-93111 | •LEVER, starter | 1 | 1 | 1 | |

FIG.4 (C-6) : DT9.9
 FIG.6 (C-9, 10) : DT16

FIG.5

C - 8

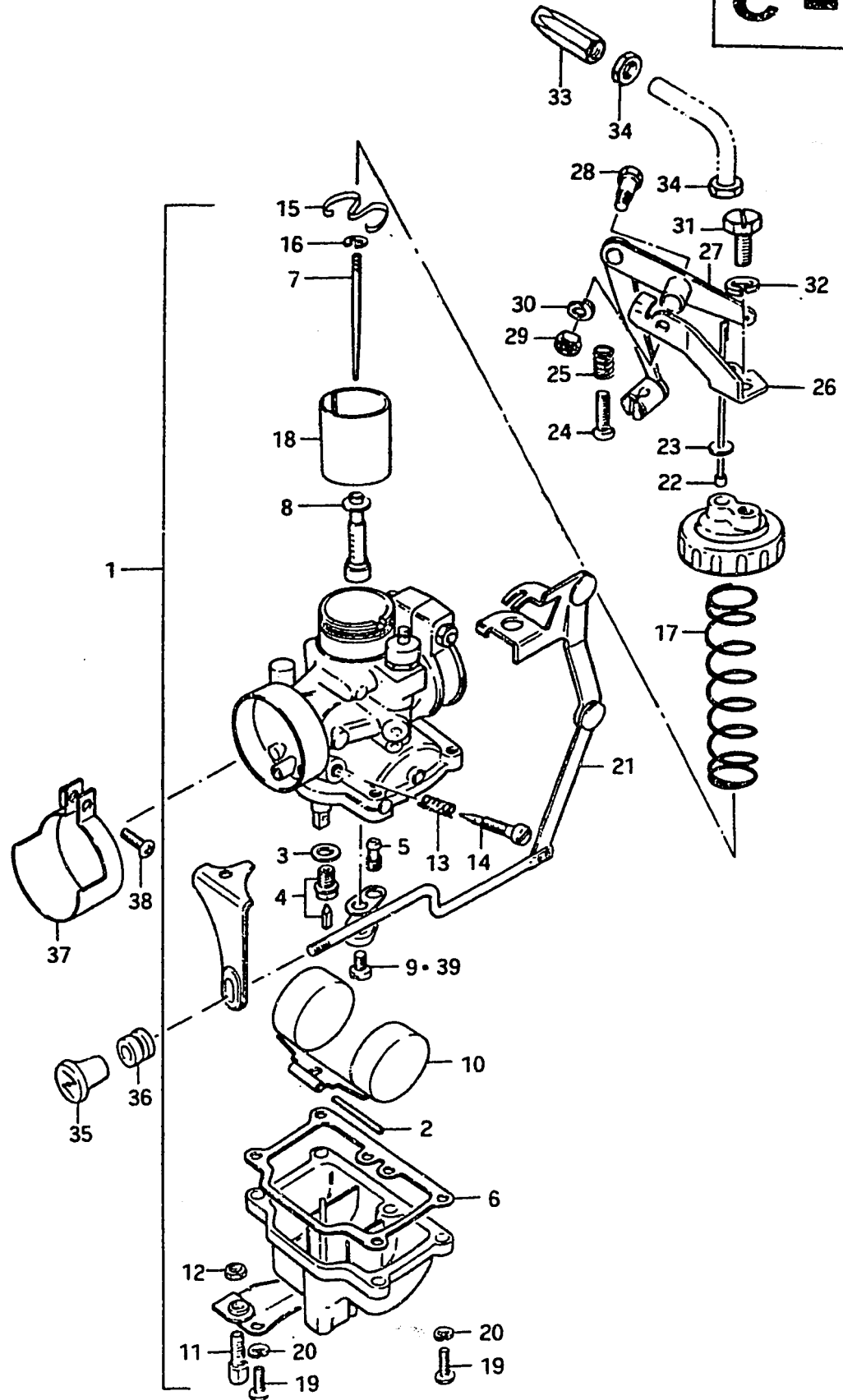


FIG.5 CARBURETOR (DT14)

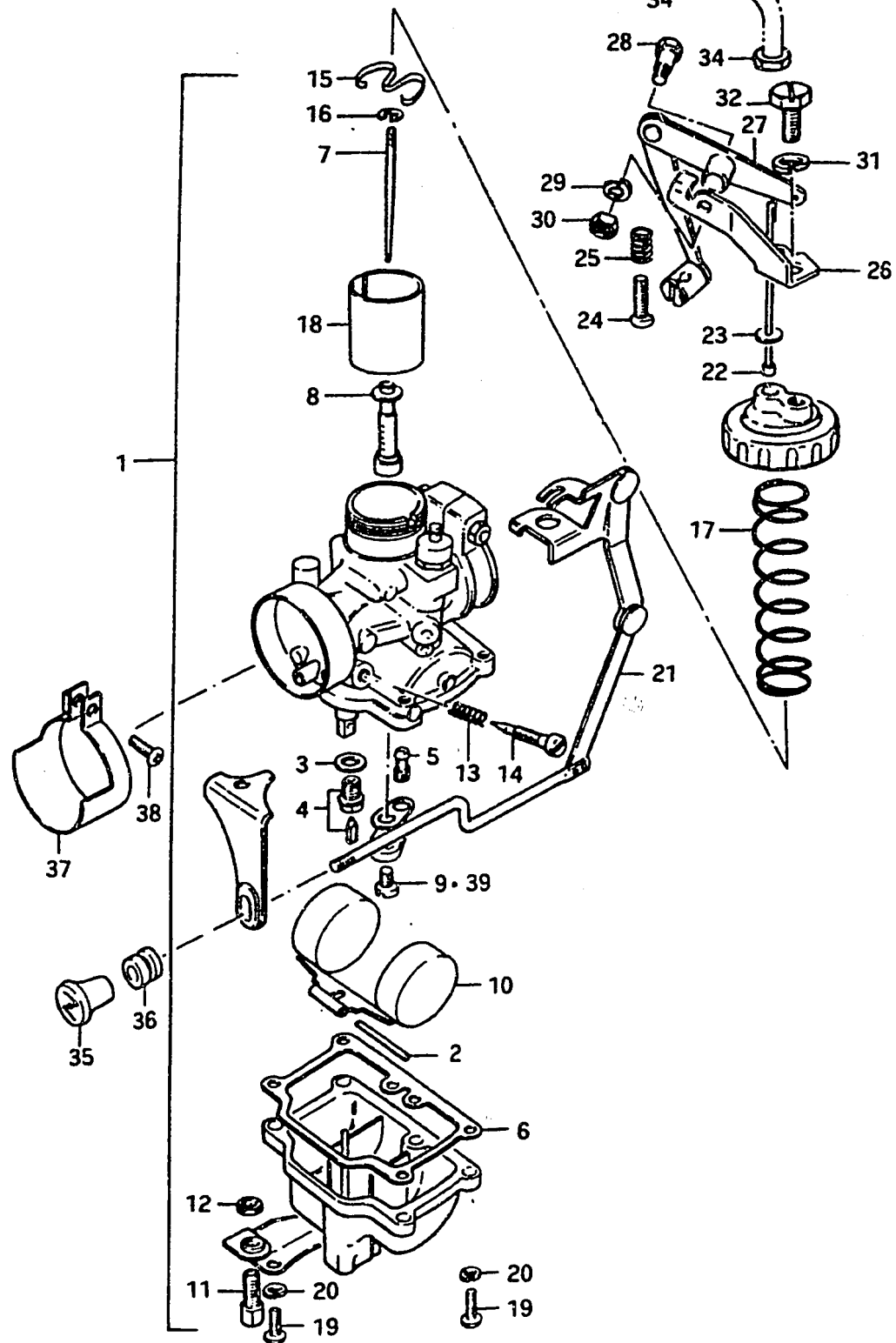
| Ref. No. | Part No. | Description | Q'ty | | | Remarks |
|----------|-------------|-------------------------|------|---|---|----------------------------------|
| | | | C | D | F | |
| 22 | 13552-99010 | •ROD, throttle | 1 | 1 | - | |
| 23 | 13266-99010 | •GASKET, mixing chamber | 1 | 1 | - | |
| 24 | 13267-96111 | •SCREW, throttle stop | 1 | 1 | - | |
| 25 | 13268-96110 | •SPRING, stop screw | 1 | 1 | - | |
| 26 | 13565-96111 | •ARM, throttle lever | 1 | 1 | - | to 13565-93119 |
| 27 | 13564-96111 | •LEVER, throttle | 1 | 1 | - | to (13564-93119) + (13565-93119) |
| 28 | 13566-96110 | •BOLT, lever pivot | 1 | 1 | - | |
| 29 | 13567-96110 | •NUT | 1 | 1 | - | |
| 30 | 08321-21048 | •LOCK WASHER | 1 | - | - | |
| 31 | 13569-96110 | •BOLT, arm | 1 | 1 | - | |
| 32-1 | 13568-96110 | •LOCK WASHER | 1 | - | - | |
| 32-2 | 09162-06001 | •LOCK WASHER | - | 1 | - | from 13568-96110 |
| 33 | 13577-98011 | •ADJUSTER, wire | - | - | 1 | |
| 34 | 13661-16600 | •NUT | - | - | 2 | |
| 35 | 13631-99002 | •KNOB, startewr | 1 | 1 | 1 | to 13631-93500 |
| 36 | 09305-04003 | BUSHING, starter knob | 1 | 1 | 1 | |
| 37 | 09402-41901 | CLAMP, carburetor | 1 | - | - | |
| 38 | 02112-04128 | SCREW | 1 | - | - | |
| 39-1 | 09491-30004 | JET, main (150) | 1 | 1 | 1 | } OPT |
| 39-2 | 09491-29001 | JET, main (145) | 1 | 1 | 1 | |
| 39-3 | 09491-32005 | JET, main (160) | 1 | 1 | 1 | |
| 39-4 | 09491-27005 | JET, main (135) | 1 | 1 | 1 | |
| 39-5 | 09491-26004 | JET, main (130) | 1 | 1 | 1 | |

FIG.4 (C-6) : DT9.9
 FIG.6 (C-9, 10) : DT16

FIG.6

C - 9

FIG.6 CARBURETOR (DT16)



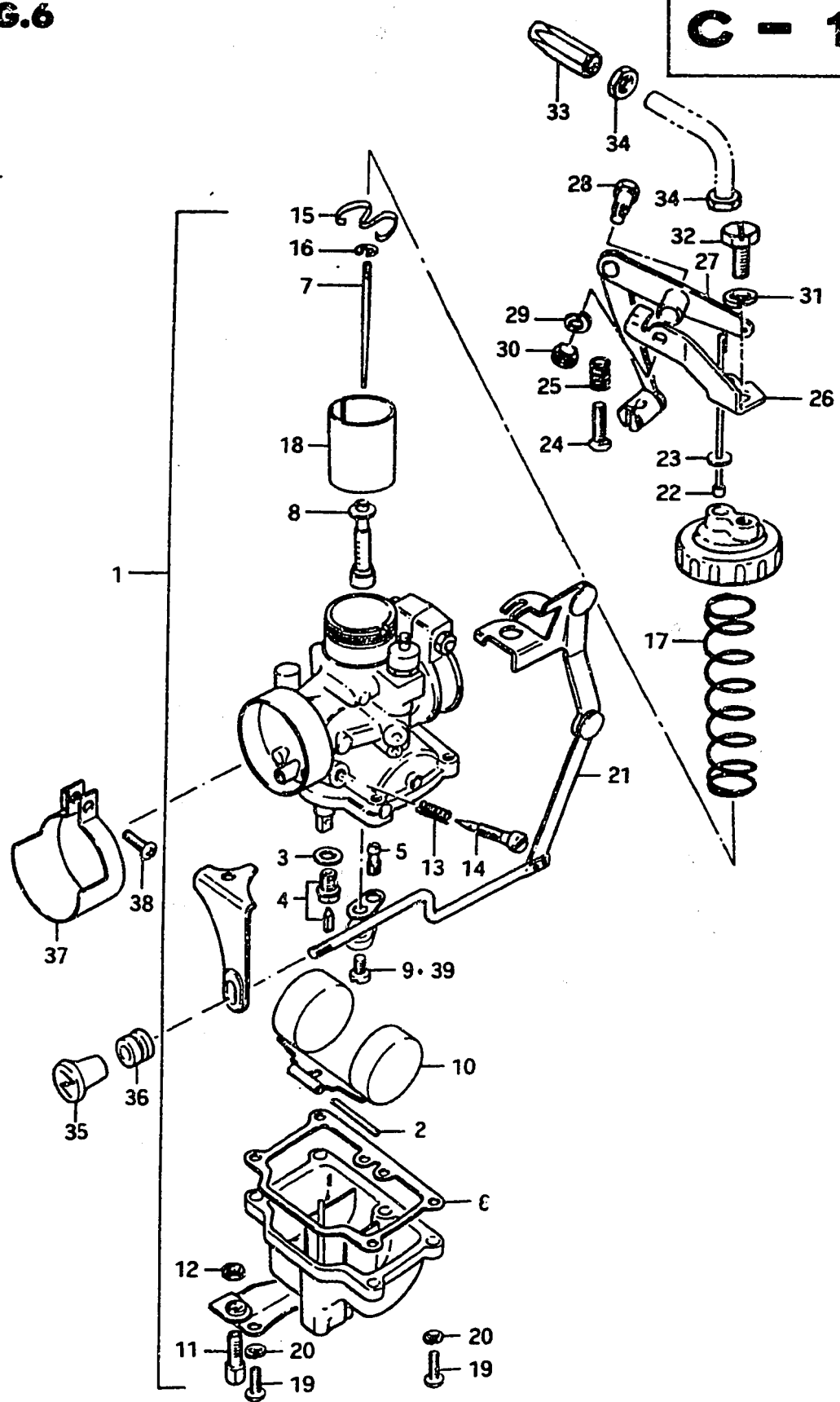
| Ref. No. | Part No. | Description | Q'ty | | | Remarks |
|----------|-------------|---------------------------|------|---|---|----------------------------|
| | | | C | D | F | |
| 1-1 | 13200-93116 | CARBURETOR ASSY | 1 | - | - | stamp:93116 to 13200-93118 |
| 1-2 | 13200-93119 | CARBURETOR ASSY | - | 1 | - | stamp:93119 to 13200-93120 |
| 1-3 | 13200-93120 | CARBURETOR ASSY | - | 1 | - | stamp:93120 |
| 1-4 | 13200-93121 | CARBURETOR ASSY | - | - | 1 | stamp:93121 |
| 2 | 13254-35013 | •PIN, float | 1 | 1 | 1 | from 13254-11010 |
| 3 | 13392-01010 | •GASKET, valve seat | 1 | 1 | 1 | |
| 4 | 13370-12110 | •VALVE | 1 | 1 | 1 | |
| 5 | 09492-40004 | •JET, pilot (40) | 1 | 1 | 1 | |
| 6 | 13251-99011 | •GASKET, float chamber | 1 | 1 | 1 | |
| 7-1 | 13383-93110 | •NEEDLE, jet | 1 | - | - | stamp:93116 |
| 7-2 | 13383-93111 | •NEEDLE, jet | - | 1 | 1 | |
| 8-1 | 09494-00140 | •NOZZLE, needle | 1 | - | - | |
| 8-2 | 09494-00203 | •NOZZLE, needle | - | 1 | 1 | |
| 9-1 | 09491-31001 | •JET, main (155) | 1 | - | - | |
| 9-2 | 09491-28005 | •JET, main (140) | - | 1 | 1 | |
| 10 | 13252-08210 | •FLOAT | 1 | 1 | 1 | |
| 11 | 13577-22600 | •ADJUSTER, cable | 1 | 1 | - | |
| 12 | 13661-03010 | •NUT, adjuster | 1 | 1 | - | |
| 13 | 13271-96110 | •SPRING, air screw | 1 | 1 | 1 | |
| 14 | 13269-99010 | •SCREW, pilot air | 1 | 1 | 1 | |
| 15 | 13581-36600 | •SEAT, valve spring | 1 | 1 | 1 | |
| 16 | 13394-10010 | •CLIP, needle | 1 | 1 | 1 | |
| 17-1 | 13573-93110 | •SPRING, throttle valve | 1 | 1 | - | to 13573-36110 |
| 17-2 | 13573-36110 | •SPRING, throttle valve | - | - | 1 | |
| 18 | 13551-93110 | •VALVE, throttle (CA:1.5) | 1 | 1 | 1 | |
| 19 | 02112-04168 | •SCREW | 4 | 4 | - | |
| 20 | 08321-21048 | •LOCK WASHER | 4 | 4 | - | |
| 21 | 13413-93111 | •LEVER, starter | 1 | 1 | 1 | |

FIG.4 (C-6) : DT9.9
 FIG.5 (C-7, 8) : DT14

FIG.6

C - 10

FIG.5 CARBURETOR (DT16)



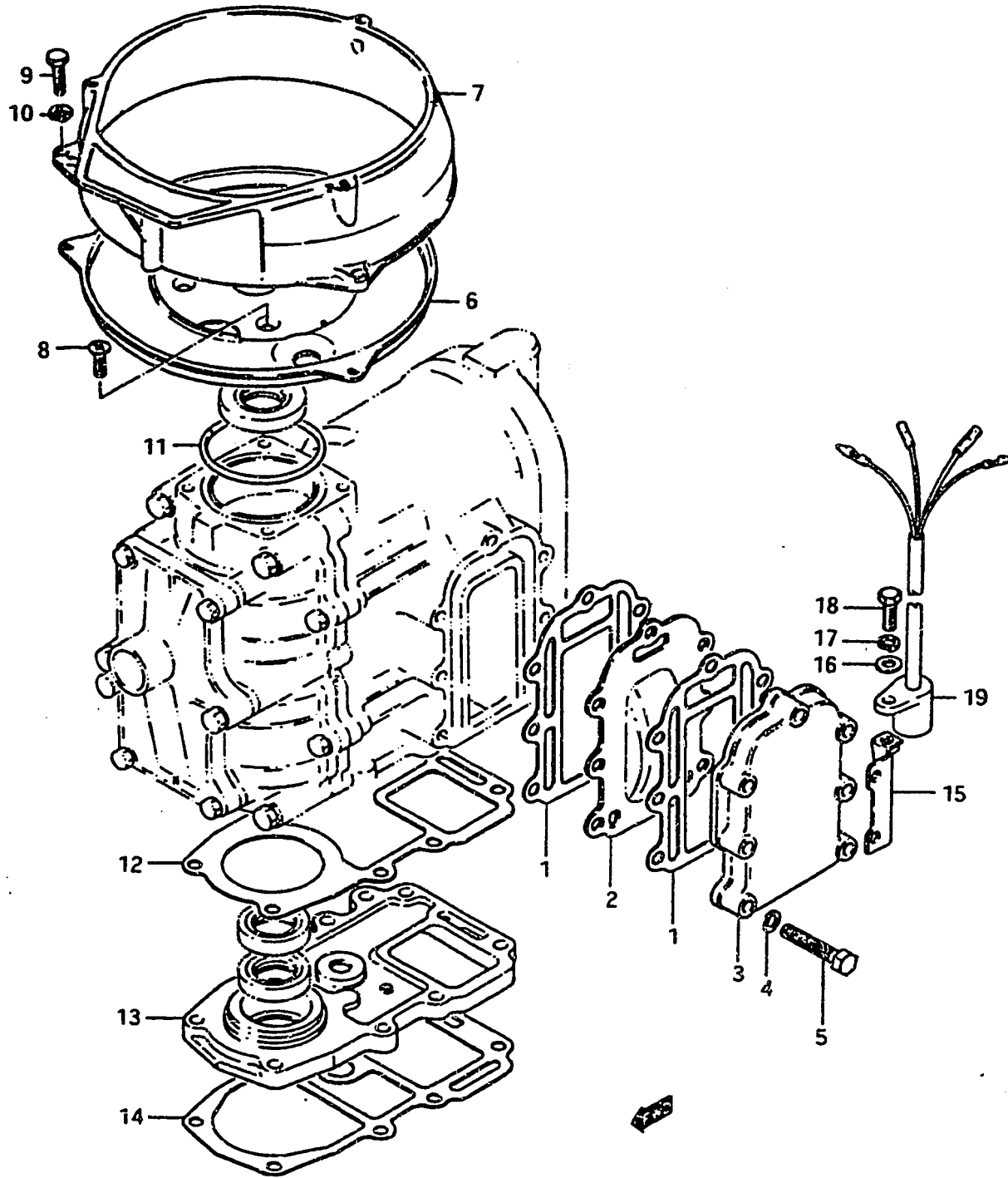
| Ref. No. | Part No. | Description | Q'ty | | | Remarks |
|----------|-------------|-------------------------|------|---|---|----------------------------------|
| | | | C | D | F | |
| 22 | 13552-99010 | •ROD, throttle | 1 | 1 | - | |
| 23 | 13266-99010 | •GASKET, mixing chamber | 1 | 1 | - | |
| 24 | 13267-96111 | •SCREW, throttle stop | 1 | 1 | - | |
| 25 | 13268-96110 | •SPRING, screw | 1 | 1 | - | |
| 26-1 | 13565-96111 | •ARM, throttle lever | 1 | - | - | to 13565-93119 |
| 26-2 | 13565-93119 | •ARM, throttle lever | - | 1 | - | |
| 27-1 | 13564-96111 | •LEVER, throttle | 1 | - | - | to (13564-93119) + (13565-93119) |
| 27-2 | 13564-93119 | •LEVER, throttle | - | 1 | - | |
| 28 | 13566-96110 | •BOLT, lever pivot | 1 | 1 | - | |
| 29 | 08321-21048 | •LOCK WASHER | 1 | 1 | - | |
| 30 | 13567-96110 | •NUT | 1 | 1 | - | |
| 31 | 09162-06001 | •LOCK WASHER | 1 | 1 | - | from 13568-96110 |
| 32 | 13569-96110 | •BOLT, arm | 1 | 1 | - | |
| 33 | 13577-98011 | •ADJUSTER, wire | - | - | 1 | |
| 34 | 13661-16600 | •NUT | - | - | 2 | |
| 35 | 13631-99002 | •KNOB, starter | 1 | 1 | 1 | to 13631-93500 |
| 36 | 09305-04003 | BUSHING, starter guide | 1 | 1 | 1 | |
| 37 | 09402-41901 | CLAMP, carburetor | 1 | - | - | |
| 38 | 02112-04128 | SCREW | 1 | - | - | |
| 39-1 | 09491-30004 | JET, main (150) | 1 | 1 | 1 | } OPT |
| 39-2 | 09491-29001 | JET, main (145) | 1 | 1 | 1 | |
| 39-3 | 09491-32005 | JET, main (160) | 1 | 1 | 1 | |
| 39-4 | 09491-27002 | JET, main (135) | 1 | 1 | 1 | |
| 39-5 | 09491-25004 | JET, main (130) | 1 | 1 | 1 | |

FIG.4 (C-6) : DT9.9
 FIG.5 (C-7, 8) : DT14

FIG.7

C - 11

FIG.7 EXHAUST COVER



| Ref. No. | Part No. | Description | Q'ty | | | Remarks |
|----------|-----------------|----------------------------|------|---|---|---|
| | | | C | D | F | |
| 1 | 14151-93100 | GASKET, exhaust upper | 2 | 2 | 2 | |
| 2-1 | 14131-93100 | PLATE, exhaust cover | 1 | - | - | |
| 2-2 | 14131-93101 | PLATE, exhaust cover | - | 1 | 1 | from 14131-93100 to 14131-93990 |
| 3-1 | 14141-93100-01J | COVER, exhaust | 1 | 1 | - | |
| 3-2 | 14141-93101-01J | COVER, exhaust | - | 1 | 1 | from 14141-93100-01J |
| 4 | 08321-21068 | LOCK WASHER | 7 | 7 | 7 | |
| 5 | 01107-06358 | BOLT | 7 | 7 | 7 | |
| 6 | 14311-93101-01J | CASE, magneto (1) | 1 | 1 | 1 | |
| 7 | 14312-93101-01J | CASE, magneto (2) | - | 1 | 1 | from 14312-93100-01J to 14312-93102-01J |
| 8 | 02122-06168 | SCREW | 4 | 4 | 4 | |
| 9 | 01107-06208 | BOLT | 3 | 3 | 3 | |
| 10 | 08321-21068 | LOCK WASHER | 3 | 3 | 3 | |
| 11 | 09280-57001 | O RING, crankcase | 1 | 1 | 1 | ID:57.2,d:3.0 |
| 12 | 17591-93100 | GASKET, water tube holder | 1 | 1 | 1 | |
| 13-1 | 17531-93100 | HOLDER, water tube | 1 | 1 | - | |
| 13-2 | 17531-93101 | HOLDER, water tube | - | - | 1 | |
| 14 | 52113-93100 | GASKET, driveshaft housing | 1 | 1 | 1 | |
| 15 | 37321-93101 | STAY, N.S.I unit | - | - | 1 | from 37321-93100-01J |
| 16 | 08322-21068 | WASHER | - | - | 1 | DT9.9FE3,DT9.9YFE3 DT16FE3 |
| 17 | 08321-21068 | LOCK WASHER | - | - | 1 | |
| 18 | 01107-06168 | BOLT | - | - | 1 | |
| 19 | 37320-93100 | N.S.I UNIT | - | - | 1 | |

FIG. 8

C - 12

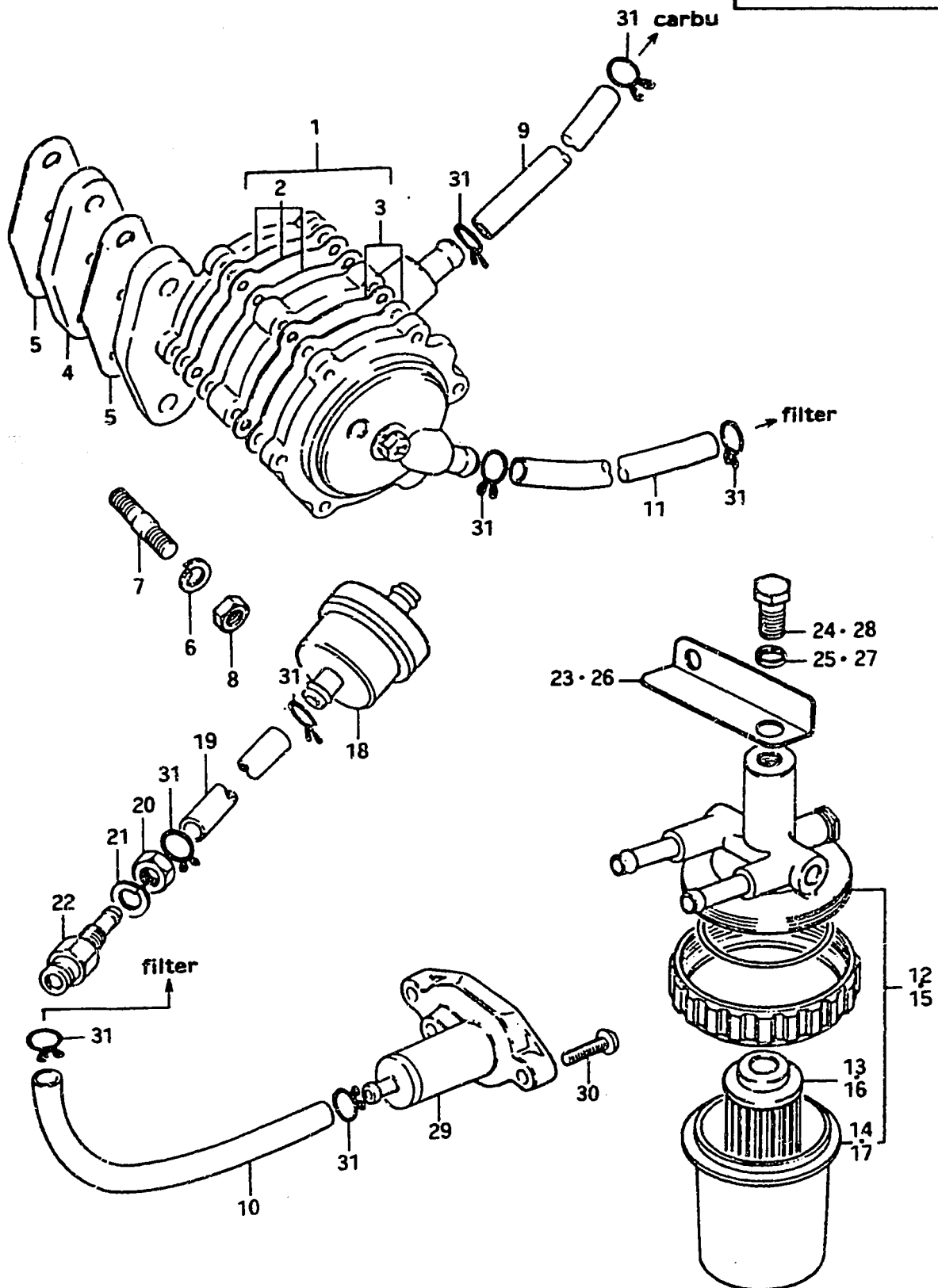


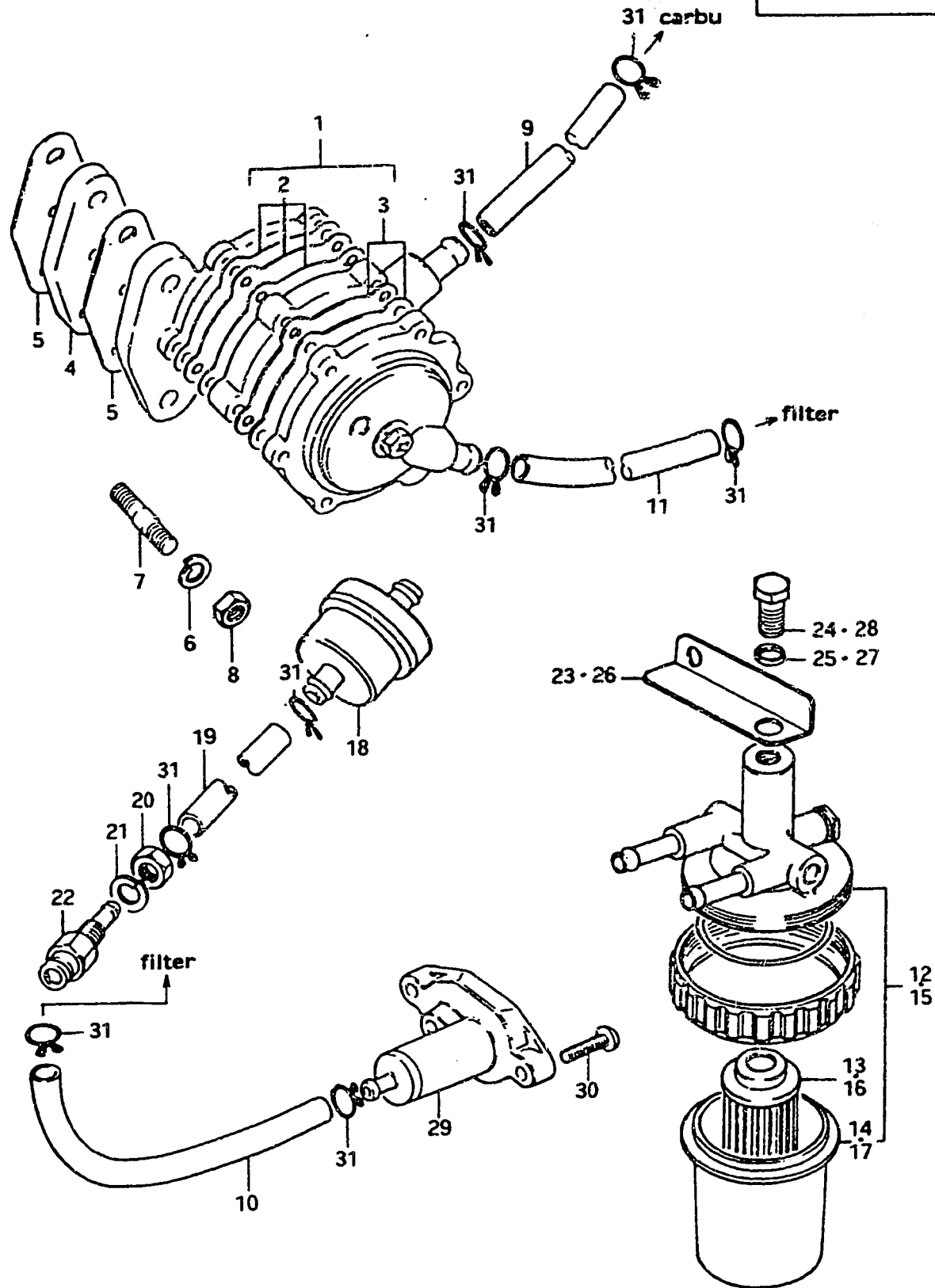
FIG. 8 FUEL PUMP

| Ref. No. | Part No. | Description | Q'ty | | | Remarks |
|----------|-------------|--|------|---|---|----------------------------------|
| | | | C | D | F | |
| 1-1 | 15100-96001 | PUMP ASSY, fuel | 1 | 1 | - | from 15100-96000 to 15100-96003 |
| 1-2 | 15100-96003 | PUMP ASSY, fuel | - | 1 | - | |
| 1-3 | 15100-93200 | PUMP ASSY, fuel | - | - | 1 | |
| 2-1 | 15170-99810 | •DIAPHRAGM SET from (15171-99701)+(15169-99701) | 1 | 1 | - | to 15170-99811 |
| 2-2 | 15170-99811 | •DIAPHRAGM SET | - | 1 | 1 | |
| 3-1 | 15180-99810 | •VALVE SET | 1 | 1 | - | |
| 3-2 | 15180-99811 | •VALVE SET | - | 1 | 1 | |
| 4 | 15322-96000 | INSULATOR, fuel pump | 1 | 1 | 1 | T:8 |
| 5 | 15321-99700 | GASKET, fuel pump | 2 | 2 | 2 | T:1 |
| 6 | 08321-21068 | LOCK WASHER | 2 | 2 | 2 | |
| 7-1 | 01421-06258 | STUD BOLT | 2 | 2 | - | |
| 7-2 | 01421-06308 | STUD BOLT | - | 2 | 2 | |
| 8 | 08310-11068 | NUT | 2 | 2 | 2 | |
| 9-1 | 09343-05135 | HOSE (pump→carbu) | 1 | 1 | - | L:180 to 09343-05137 |
| 9-2 | 09343-05137 | HOSE (pump→carbu) | - | - | 1 | L:500→175 |
| 10 | 09343-05137 | HOSE (connector→filter) | 1 | 1 | - | L:500→240 |
| 11-1 | 09343-05135 | HOSE (filter→pump) | 1 | 1 | - | L:180→110 to 09343-05137 |
| 11-2 | 09343-05137 | HOSE (filter→pump) | - | - | 1 | L:500→215 |
| 11-3 | 09343-05137 | HOSE (filter→pump) (DT9.9/DT14/DT16 : E13, E38) | - | - | 1 | L:500→85 |
| 12 | 15410-96100 | FILTER, fuel | 1 | 1 | - | strainer washable |
| 13 | 15412-96100 | •STRAINER | 1 | 1 | - | |
| 14 | 15413-96100 | •CUP | 1 | 1 | - | |
| 15 | 15410-96100 | FILTER, fuel | - | - | 1 | ((DT9.9/DT14/ DT16: E13, E38) |
| 16 | 15412-96100 | •STRAINER | - | - | 1 | |
| 17 | 15413-96100 | •CUP | - | - | 1 | |

FIG. 8

C - 13

FIG. 8 FUEL PUMP

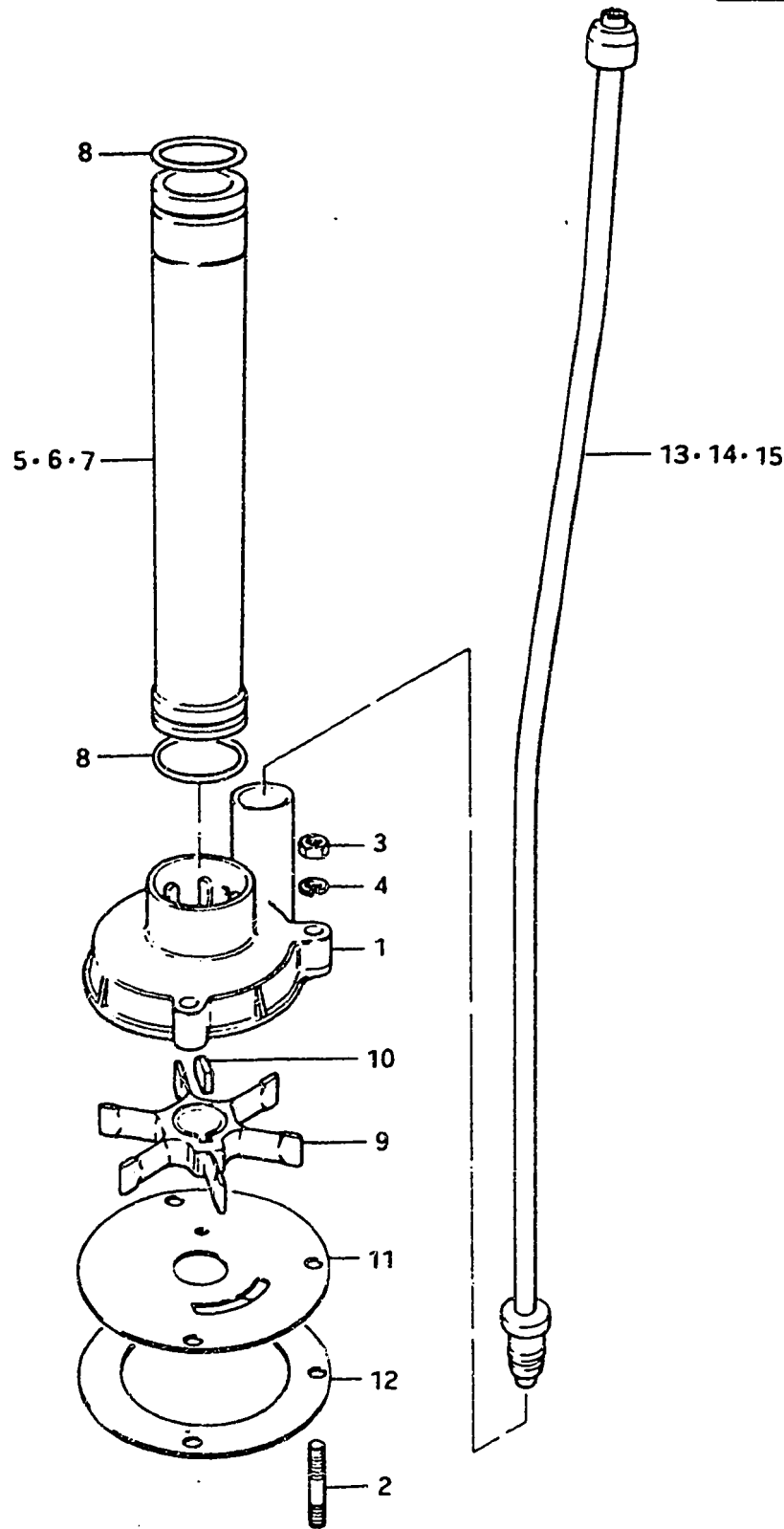


| Ref. No. | Part No. | Description | Q'ty | | | Remarks |
|----------|-----------------|-------------------------------|------|---|---|-----------------------------|
| | | | C | D | F | |
| 18 | 15410-98500 | FILTER ASSY, fuel | - | - | 1 | |
| 19-1 | 09343-05137 | HOSE, fuel (connector→filter) | - | - | 1 | L:500→85 |
| 19-2 | 09343-05137 | HOSE, fuel (connector→filter) | - | - | 1 | L:500→240(E13,E38) |
| 20-1 | 08310-22108 | NUT | - | 1 | - | (DT9.9E3,DT16E3) |
| 20-2 | 08310-22108 | NUT | - | - | 1 | |
| 21-1 | 08321-21108 | LOCK WASHER | - | 1 | - | |
| 21-2 | 08321-21108 | LOCK WASHER | - | - | 1 | |
| 22-1 | 65720-98500 | PLUG, fuel connector | - | - | - | to 65720-98501 |
| 22-2 | 65720-98500 | PLUG, fuel connector | - | - | 1 | to 65720-98501 |
| 22-3 | 65720-98501 | PLUG, fuel connector | - | - | 1 | to 65720-98502 |
| 23 | 15421-96100 | BRACKET, fuel filter | 1 | 1 | - | |
| 24 | 01107-08128 | BOLT | 1 | 1 | - | |
| 25 | 08321-21088 | LOCK WASHER | 1 | 1 | - | |
| 26 | 15421-96100 | BRACKET, filter | - | - | 1 | DT9.9/DT14/ DT16:E13,E38 |
| 27 | 08321-21088 | LOCK WASHER | - | - | 1 | |
| 28 | 01107-08128 | BOLT | - | - | 1 | |
| 29 | 65700-96811-01J | PLUG ASSY, fuel connector | 1 | 1 | - | |
| 30-1 | 02112-05168 | SCREW | 2 | - | - | to 09125-05029 |
| 30-2 | 09125-05029 | SCREW | - | 2 | - | |
| 31-1 | 09401-08401 | CLIP, fuel hose | 6 | 6 | 6 | to 09401-09402 |
| 31-2 | 09401-09402 | CLIP, fuel hose | - | - | 6 | |

FIG. 9

C - 14

FIG. 9 WATER PUMP

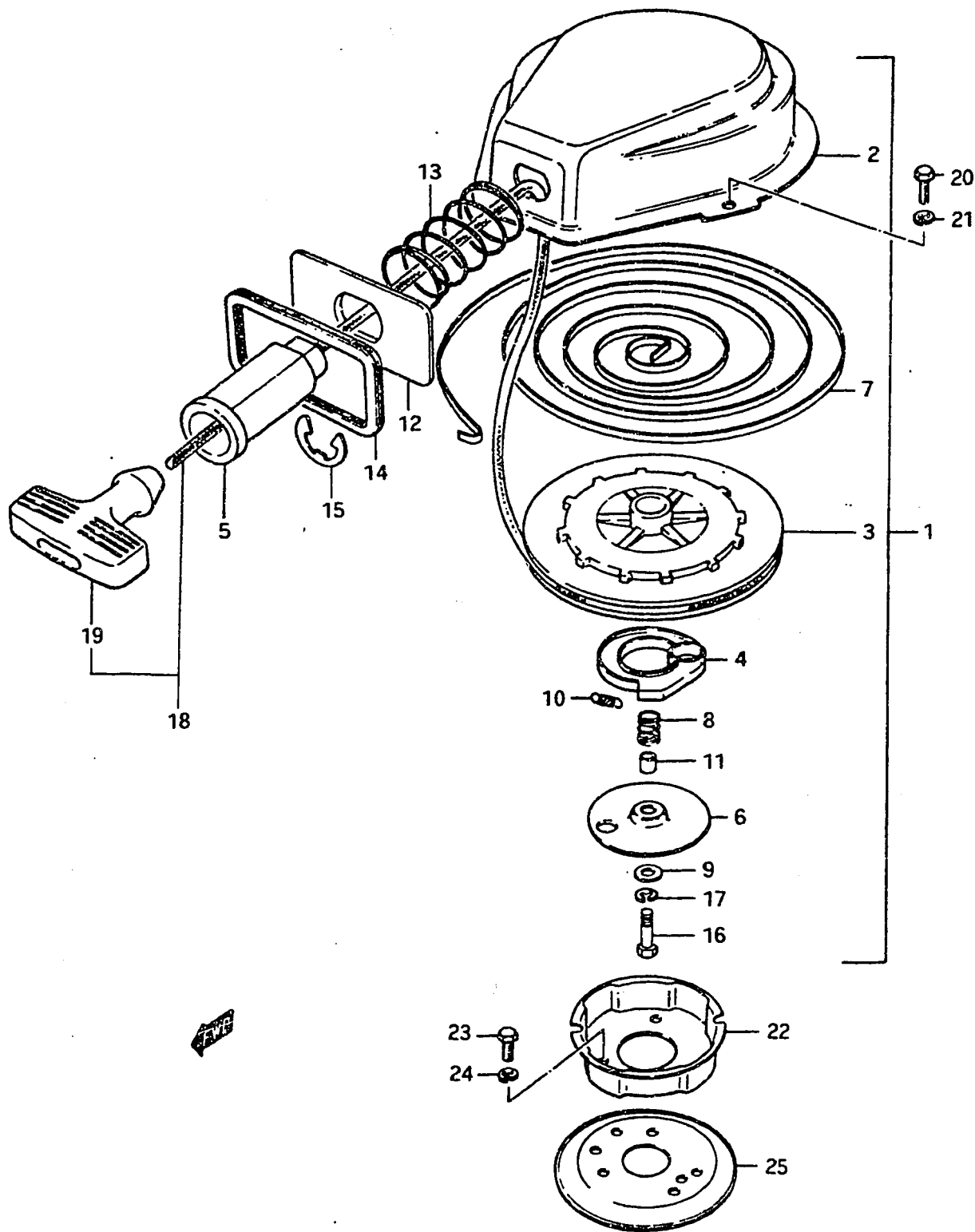


| Ref. No. | Part No. | Description | Q'ty | | | Remarks |
|----------|-------------|-------------------------|------|---|---|---------------------------------|
| | | | C | D | F | |
| 1-1 | 17411-93000 | CASE, water pump | 1 | - | - | |
| 1-2 | 17411-93001 | CASE, water pump | 1 | 1 | 1 | from 17411-93000 to 17411-93002 |
| 2 | 09108-05003 | STUD BOLT | 3 | 3 | 3 | to 09108-05008 |
| 3 | 09140-05001 | NUT | 3 | 3 | 3 | |
| 4 | 09162-05002 | LOCK WASHER | 3 | 3 | 3 | |
| 5-1 | 17431-93000 | TUBE, water pump seal | 1 | 1 | - | L type, L:183 |
| 5-2 | 17431-93001 | TUBE, water pump seal | - | - | 1 | L type, L:208 from 17431-93000 |
| 6-1 | 17431-93100 | TUBE, water pump seal | 1 | 1 | - | S type, L:56 |
| 6-2 | 17431-93101 | TUBE, water pump seal | - | - | 1 | S type, L:81 from 17431-93100 |
| 7 | 17431-93760 | TUBE, water pump seal | 1 | 1 | 1 | UL type, L:292 |
| 8 | 09280-22005 | O RING, water pump seal | 2 | 2 | 2 | ID:21.8, d:2.4 |
| 9-1 | 17461-93001 | IMPELLER, pump | 1 | 1 | 1 | |
| 9-2 | 17461-93002 | IMPELLER, pump | - | - | 1 | from 17461-93001 |
| 10 | 09420-04004 | KEY | 1 | 1 | 1 | |
| 11-1 | 17471-93101 | PLATE, pump case lower | 1 | 1 | 1 | |
| 11-2 | 17471-93102 | PLATE, pump case lower | - | - | 1 | from 17471-93101 |
| 12 | 17472-93100 | GASKET, pump case plate | 1 | 1 | 1 | |
| 13 | 17561-93100 | TUBE, water | 1 | 1 | 1 | L type, L:494 |
| 14 | 17561-93750 | TUBE, water | 1 | 1 | 1 | S type, L:374.5 |
| 15 | 17561-93760 | TUBE, water | 1 | 1 | 1 | UL type, L:603 |

FIG. 10

C - 15

FIG. 10 STARTER



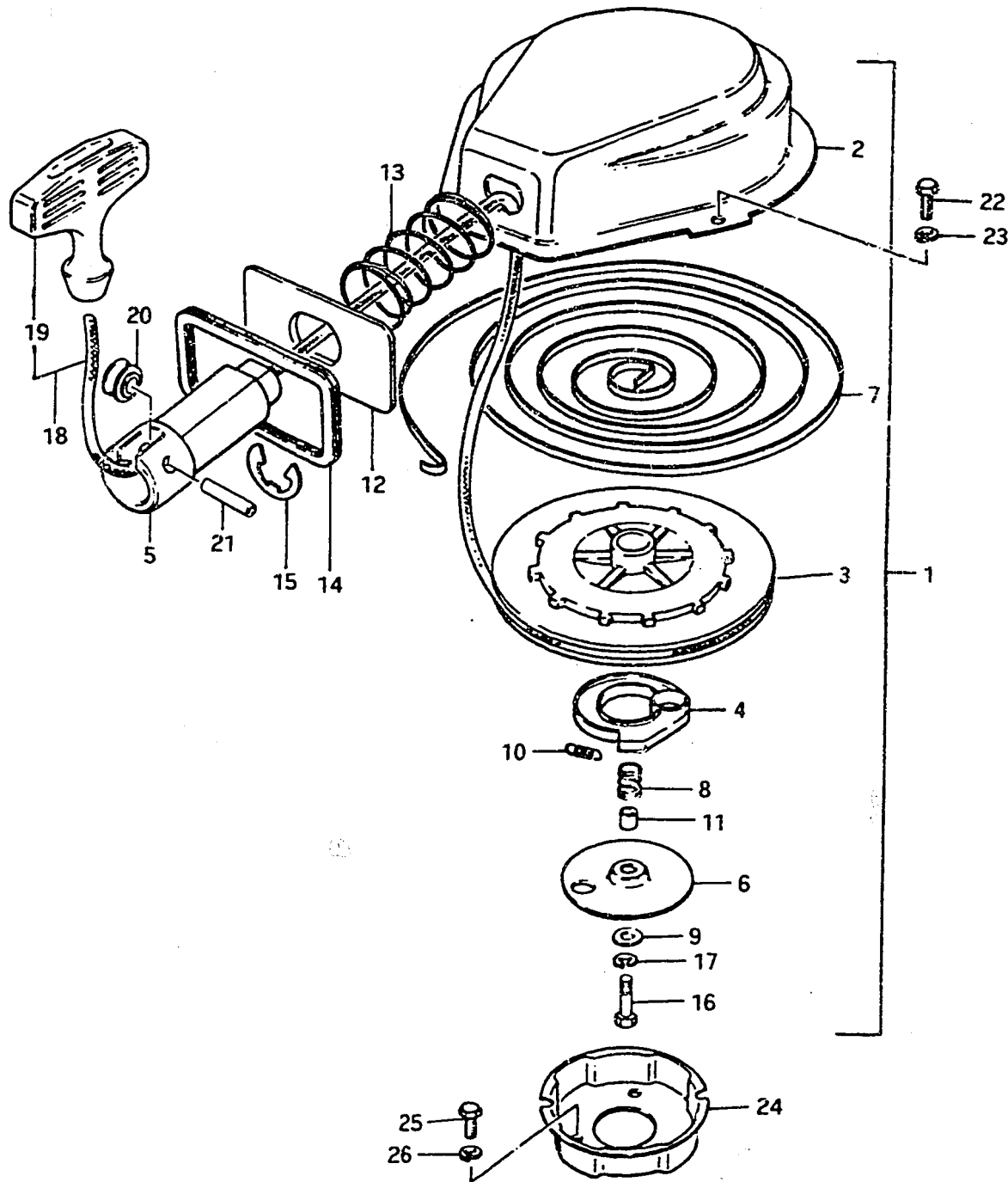
Q'ty

| Ref. No. | Part No. | Description | C | D | F | Remarks |
|----------|-------------|----------------------------|---|---|---|-----------------------------|
| 1-1 | 18100-93100 | STARTER ASSY, recoil | 1 | 1 | - | to 18100-93101 |
| 1-2 | 18100-93101 | STARTER ASSY, recoil | - | - | 1 | |
| 2 | 18111-93100 | ·CASE, starter | 1 | 1 | 1 | |
| 3 | 18121-93100 | ·DRUM | 1 | 1 | 1 | |
| 4 | 18131-93100 | ·PAWL, drive | 1 | 1 | 1 | |
| 5 | 18181-93100 | ·GUIDE, rope | 1 | 1 | 1 | |
| 6 | 18151-93100 | ·PLATE, drive | 1 | 1 | 1 | |
| 7 | 18142-98001 | ·SPRING, starter roll | 1 | 1 | 1 | from 18142-93100 |
| 8 | 18145-93100 | ·SPRING, drive plate | 1 | 1 | 1 | |
| 9 | 18146-93100 | ·WASHER, pivot bolt | 1 | 1 | 1 | |
| 10 | 18155-93100 | ·SPRING, drive pawl return | 1 | 1 | 1 | |
| 11 | 18156-93100 | ·SPACER, drive plate | 1 | 1 | 1 | |
| 12 | 18231-93100 | ·PLATE, guide | 1 | 1 | 1 | |
| 13 | 18196-93100 | ·SPRING, guide plate | 1 | 1 | 1 | from 18236-93100 |
| 14 | 18233-93000 | ·RUBBER, guide plate | 1 | 1 | 1 | |
| 15 | 18183-93400 | ·E RING, rope guide | 1 | 1 | 1 | from 18241-96000 |
| 16 | 18153-93100 | ·BOLT, pivot | 1 | 1 | 1 | |
| 17 | 08321-21068 | ·LOCK WASHER | 1 | 1 | 1 | |
| 18-1 | 18200-93810 | ·GRIP SET (to 18200-93811) | 1 | 1 | - | DT9.9D-10295 DT16D-10628 |
| 18-2 | 18200-93811 | ·GRIP SET | - | 1 | 1 | |
| 19-1 | 18210-93000 | ·GRIP, starter | 1 | 1 | - | to 18210-93001 |
| 19-2 | 18210-93001 | ·GRIP, starter | - | 1 | 1 | |
| 20 | 01107-06168 | BOLT | 3 | 3 | 3 | |
| 21 | 08321-21068 | LOCK WASHER | 3 | 3 | 3 | |
| 22 | 18411-93100 | CUP, starter | 1 | 1 | 1 | |
| 23 | 01107-06168 | BOLT | 3 | 3 | 3 | |
| 24 | 08321-21068 | LOCK WASHER | 3 | 3 | 3 | |
| 25 | 32725-96001 | INSULATOR, magneto | 1 | - | - | |

FIG. 11

D - 2

FIG. 11 STARTER (DT9.9Y)

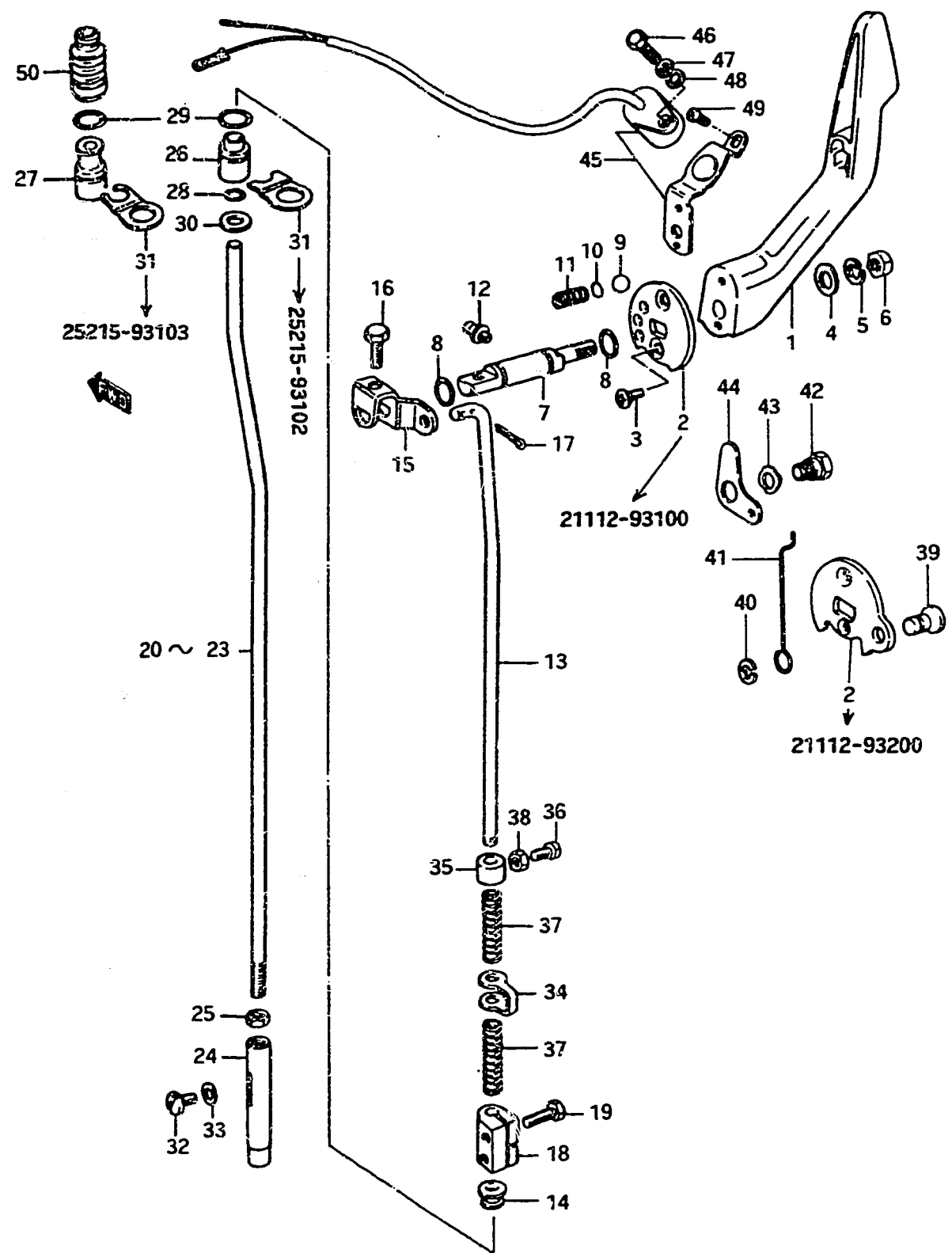


| Ref. No. | Part No. | Description | Q'ty | | Remarks |
|----------|-------------|----------------------------|------|----|----------------------------|
| | | | YD | YF | |
| 1 | 18100-93280 | STARTER ASSY, recoil | 1 | 1 | |
| 2 | 18111-93100 | ·CASE, starter | 1 | 1 | |
| 3 | 18121-93100 | ·DRUM | 1 | 1 | |
| 4 | 18131-93100 | ·PAWL, drive | 1 | 1 | |
| 5 | 18181-93280 | ·GUIDE, rope | 1 | 1 | |
| 6 | 18151-93100 | ·PLATE, drive | 1 | 1 | |
| 7 | 18142-98001 | ·SPRING, starter roll | 1 | 1 | |
| 8 | 18145-93100 | ·SPRING, drive plate | 1 | 1 | |
| 9 | 18145-93100 | ·WASHER, pivot bolt | 1 | 1 | |
| 10 | 18155-93100 | ·SPRING, drive pawl return | 1 | 1 | |
| 11 | 18156-93100 | ·SPACER, drive plate | 1 | 1 | DT9.9YD DT9.9YF (E1,E3) |
| 12 | 18231-93100 | ·PLATE, guide | 1 | 1 | |
| 13 | 18196-93100 | ·SPRING, guide plate | 1 | 1 | from 18236-93100 |
| 14 | 18233-93000 | ·RUBBER, guide plate | 1 | 1 | |
| 15 | 18183-93400 | ·E RING, rope guide | 1 | 1 | from 18241-96000 |
| 16 | 18153-93100 | ·BOLT, pivot | 1 | 1 | |
| 17 | 08321-21068 | ·LOCK WASHER | 1 | 1 | |
| 18 | 18200-93811 | ·GRIP SET | 1 | 1 | |
| 19 | 18210-93001 | ·GRIP, starter | 1 | 1 | |
| 20 | 18182-93280 | ·ROLLER, rope guide | 1 | 1 | |
| 21 | 18185-93280 | ·PIN | 1 | 1 | |
| 22 | 01107-06168 | BOLT | 3 | 3 | |
| 23 | 08321-21068 | LOCK WASHER | 3 | 3 | |
| 24 | 18411-93100 | CUP, starter | 1 | 1 | |
| 25 | 01107-06168 | BOLT | 3 | 3 | |
| 26 | 08321-21068 | LOCK WASHER | 3 | 3 | |

FIG. 12

D - 3

FIG. 12 CLUTCH LEVER



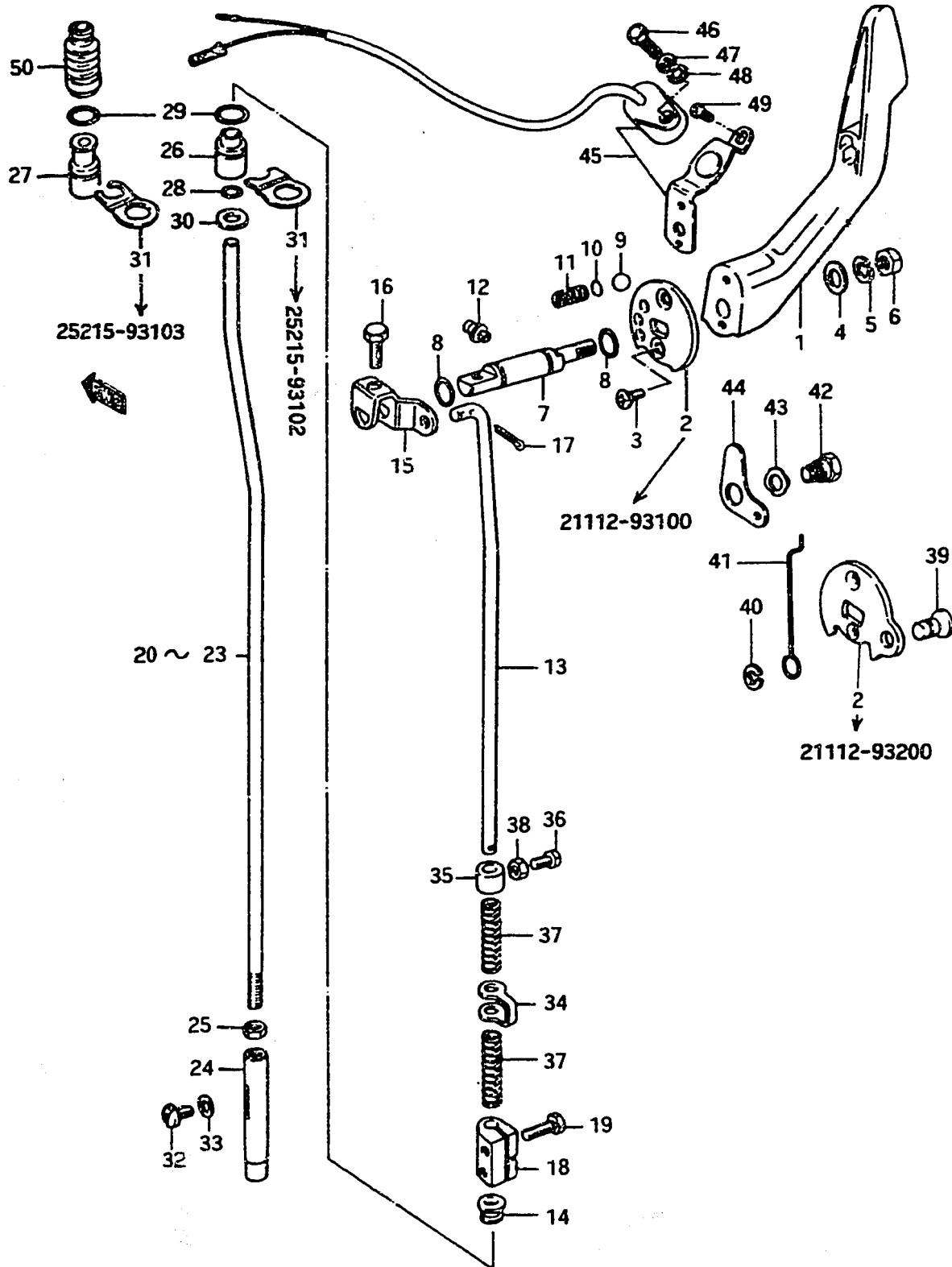
Q'ty

| Ref. No. | Part No. | Description | C | D | F | Remarks |
|----------|-----------------|----------------------------|---|---|---|------------------------------------|
| 1-1 | 21111-93100-01J | LEVER, clutch | 1 | - | - | to 21111-93101-01J |
| 1-2 | 21111-93101-01J | LEVER, clutch | - | 1 | - | to 21111-93102-01J ~DT16D-11328 |
| 1-3 | 21111-93102-01J | LEVER, clutch | - | 1 | - | to 21111-93103-01J |
| 1-4 | 21111-93103-01J | LEVER, clutch | - | 1 | 1 | to 21111-93500-01J |
| 2-1 | 21112-93100 | PLATE, clutch lever | 1 | 1 | - | |
| 2-2 | 21112-93200 | PLATE, clutch lever | - | - | 1 | |
| 3 | 02122-04128 | SCREW | 2 | 2 | 2 | |
| 4 | 09160-08015 | WASHER, clutch lever | 1 | 1 | 1 | 8.5x16x1.2 |
| 5 | 09162-08003 | LOCK WASHER | 1 | 1 | 1 | |
| 6 | 09140-08003 | NUT, clutch lever | 1 | 1 | 1 | |
| 7-1 | 21211-93100 | SHAFT, clutch lever (L:72) | 1 | 1 | - | to 21211-93101 |
| 7-2 | 21211-93101 | SHAFT, clutch lever (L:75) | - | 1 | 1 | |
| 8 | 09280-09003 | O RING, clutch lever shaft | 2 | 2 | 2 | ID:8.8,d:1.9 |
| 9 | 09260-10003 | BALL, clutch notch | 1 | 1 | 1 | 5/16" |
| 10 | 21121-93300 | PLATE (7.5x0.8) | - | 1 | 1 | |
| 11 | 09440-07021 | SPRING, clutch notch | 1 | 1 | 1 | |
| 12 | 22511-99000 | GREASE NIPPLE | 1 | 1 | 1 | |
| 13 | 23111-93100 | ROD, clutch | 1 | 1 | 1 | |
| 14 | 09305-06006 | BUSHING, clutch rod | 1 | 1 | 1 | to 09305-06008 |
| 15 | 23211-93100 | ARM, clutch | 1 | 1 | 1 | |
| 16 | 09100-06019 | BOLT (6x16) | 1 | 1 | 1 | |
| 17 | 09204-01001 | COTTER PIN | 2 | 2 | 2 | |
| 18 | 23311-93101 | CONNECTOR, clutch rod | 1 | 1 | 1 | |
| 19 | 09100-06019 | BOLT (6x16) | 2 | 2 | 2 | |
| 20 | 25111-93100 | ROD, shifting | 1 | 1 | 1 | L type,L:441 |
| 21 | 25111-93750 | ROD, shifting | 1 | 1 | 1 | S type,L:316 |
| 22 | 25111-93760 | ROD, shifting | 1 | 1 | 1 | UL type,L:550 |
| 23 | 25111-93280 | ROD, shifting (DT9.9Y) | - | 1 | 1 | |
| 24 | 25311-93100 | CAM, shifting | 1 | 1 | 1 | |
| 25 | 08310-11068 | NUT | 1 | 1 | 1 | |

FIG.12

D - 4

FIG.12 CLUTCH LEVER



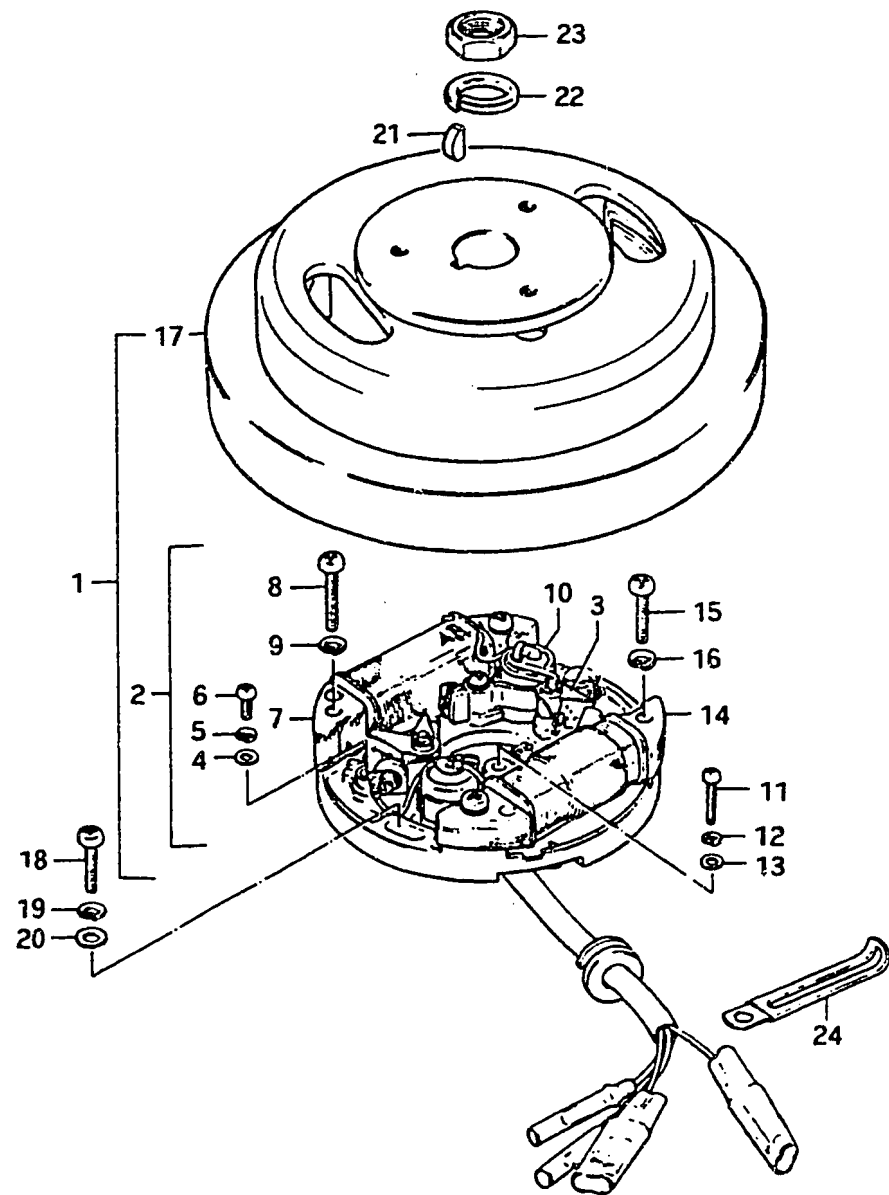
| Ref. No. | Part No. | Description | Q'ty | | | Remarks |
|----------|-------------|---------------------------------|------|---|---|------------------------|
| | | | C | D | F | |
| 26 | 25211-93002 | GUIDE, shifting rod | 1 | 1 | 1 | |
| 27 | 25211-93004 | GUIDE, shifting rod | - | - | 1 | to 25211-93005 |
| 28 | 09280-06004 | O RING, shifting rod | 1 | 1 | 1 | ID:5.8,d:3.5 |
| 29 | 09280-11001 | O RING, shifting rod guide | 1 | 1 | 1 | ID:10.8,d:2.4 |
| 30 | 08212-06151 | WASHER (T:1.0) | 1 | 1 | 1 | |
| 31-1 | 25215-93102 | STOPPER, shifting rod guide | 1 | 1 | 1 | to 25215-93103 |
| 31-2 | 25215-93103 | STOPPER, shifting rod guide | - | - | 1 | |
| 32 | 09139-06003 | SCREW, cam stop | 1 | 1 | 1 | |
| 33 | 09168-06002 | GASKET, cam stop screw | 1 | 1 | 1 | 6.2x12x1.5 |
| 34 | 45233-93100 | GUIDE, reverse lock arm | 1 | 1 | 1 | |
| 35 | 45234-93100 | STOPPER, reverse lock arm | 1 | 1 | 1 | |
| 36 | 09100-05102 | BOLT, lock arm stopper (5x10) | 1 | 1 | 1 | |
| 37 | 09440-09011 | SPRING, reverse lock arm | 2 | 2 | 2 | |
| 38 | 09140-05001 | NUT, lock arm stopper | 1 | 1 | 1 | |
| 39 | 21314-93100 | HOLDER, inter lock rod | - | - | 1 | |
| 40 | 21315-93100 | E RING | - | - | 1 | DT9.9FE3, DT9.9YFE3 |
| 41 | 21312-93100 | ROD, inter lock | - | - | 1 | |
| 42 | 09111-06022 | BOLT (to 09111-06025) | - | - | 1 | DT16FE3 |
| 43 | 09154-09002 | WAVE WASHER | - | - | 1 | |
| 44 | 21313-93100 | PLATE, inter lock | - | - | 1 | |
| 45 | 37310-93100 | SWITCH ASSY, neutral inter lock | - | 1 | - | |
| 46 | 01107-06168 | BOLT | - | 1 | - | DT9.9DE3, DT16DE3 |
| 47 | 08321-21068 | LOCK WASHER | - | 1 | - | |
| 48 | 08322-21068 | WASHER | - | 1 | - | |
| 49 | 09125-05028 | SCREW | - | 1 | - | |
| 50 | 25222-93000 | BOOTS, shifting rod | - | - | 1 | |

FIG. 13

D - 5

18

FIG.13 MAGNETO (model C)



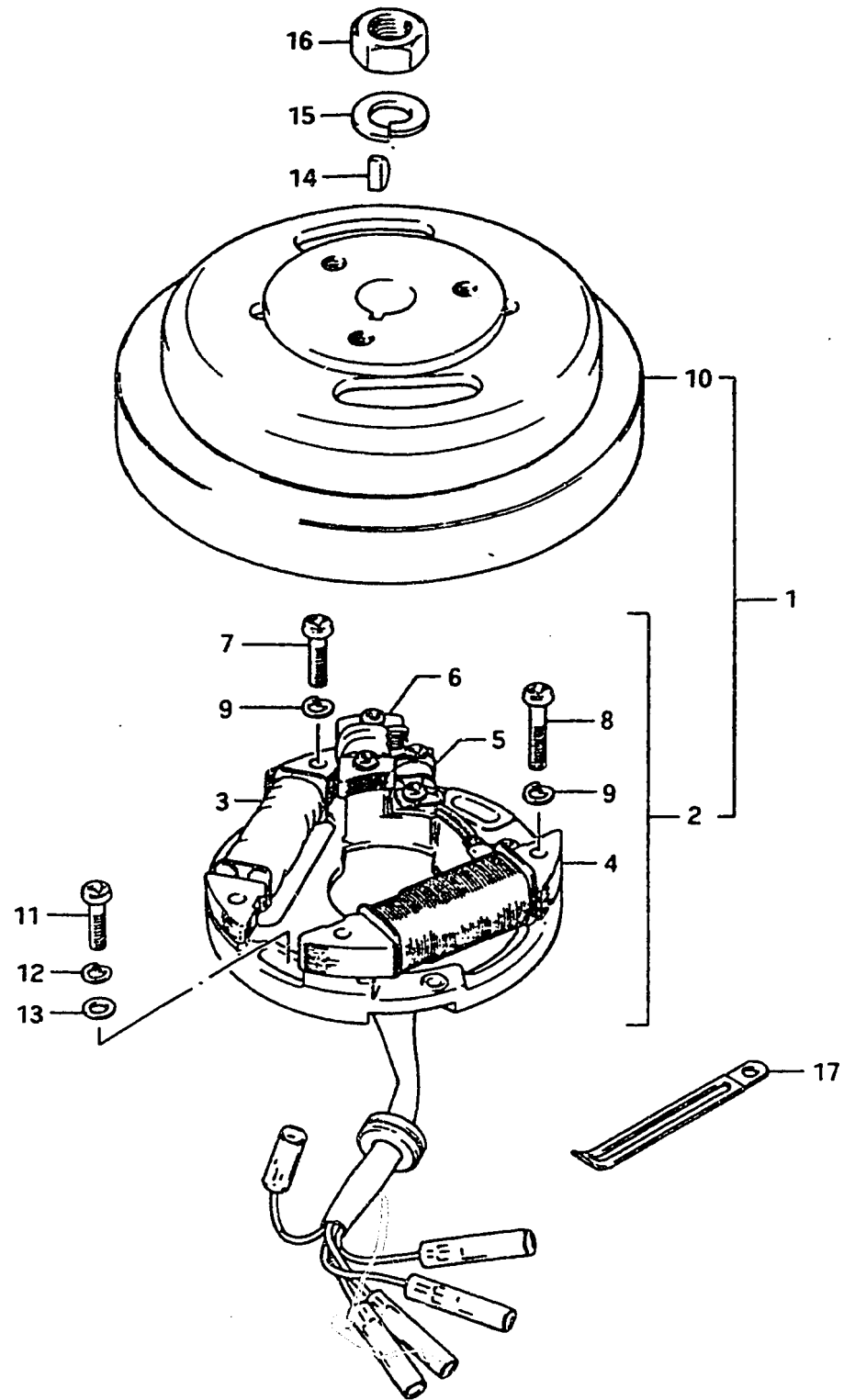
| Rsf. No. | Part No. | Description | Q'ty | | Remarks |
|----------|-------------|--|------|---|----------------|
| | | | | C | |
| 1 | 32100-93602 | MAGNETO ASSY | 1 | | |
| 2 | 32101-96601 | •STATOR ASSY | 1 | | to 32101-96602 |
| 3 | 32260-97031 | ••POINT ASSY, contact | 2 | | to 32260-96030 |
| 4 | 08322-21048 | ••WASHER | 2 | | |
| 5 | 08321-21048 | ••LOCK WASHER | 2 | | |
| 6 | 02311-04108 | ••SCREW | 2 | | |
| 7 | 32140-93600 | ••COIL, primary ignition | 1 | | |
| 8 | 02112-05308 | ••SCREW | 2 | | |
| 9 | 08321-21058 | ••LOCK WASHER | 2 | | |
| 10 | 32341-97030 | ••CONDENSER | 2 | | |
| 11 | 02112-04208 | ••SCREW | 2 | | |
| 12 | 08321-21048 | ••LOCK WASHER | 2 | | |
| 13 | 08322-21048 | ••WASHER | 2 | | |
| 14 | 32120-93131 | ••COIL, lighting (12V,80W) (COIL, battery charging) | 1 | | |
| 15 | 02112-05258 | ••SCREW | 2 | | |
| 16 | 08321-21058 | ••LOCK WASHER | 2 | | |
| 17 | 32102-93132 | •ROTOR ASSY | 1 | | to 32102-93133 |
| 18 | 02112-05208 | SCREW | 2 | | |
| 19 | 08321-21058 | LOCK WASHER | 2 | | |
| 20 | 08322-11058 | WASHER | 2 | | |
| 21 | 08341-31049 | KEY | 1 | | |
| 22 | 08321-21148 | LOCK WASHER | 1 | | |
| 23 | 08310-22148 | NUT | 1 | | |
| 24 | 09404-06415 | CLAMP, magneto cord (L:95) | 1 | | |

FIG.14 (D-6) : model D, F
 FIG.15 (D-7) : model D (E13), model F (E13)

FIG. 14

D - 6

FIG.14 MAGNETO (model D,F)



| Ref. No. | Part No. | Description | Q'ty | | Remarks |
|----------|-------------|--|------|---|--------------------------------|
| | | | D | F | |
| 1-1 | 32100-93230 | MAGNETO ASSY (~DT16D-11442) | 1 | - | to 32100-93231 |
| 1-2 | 32100-93231 | MAGNETO ASSY | 1 | 1 | |
| 2-1 | 32101-93230 | •STATOR ASSY (~DT16D-11442) | 1 | - | to 32101-93231 |
| 2-2 | 32101-93231 | •STATOR ASSY | 1 | 1 | |
| 3-1 | 32140-93230 | ••COIL, ignition primary | 1 | - | to 32140-93231 ~DT16D-11442 |
| 3-2 | 32140-93232 | ••COIL, ignition primary | 1 | 1 | from 32140-93231 |
| 4 | 32120-93230 | ••COIL, lighting (12V,80W) (COIL, battery charging) | 1 | 1 | |
| 5 | 32395-93230 | ••SENSER, timing 1 | 1 | 1 | |
| 6 | 32396-93230 | ••SENSER, timing 2 | 1 | 1 | |
| 7 | 02112-05208 | ••SCREW | 2 | 2 | |
| 8 | 02112-05258 | ••SCREW | 2 | 2 | |
| 9 | 08321-21058 | ••LOCK WASHER | 4 | 4 | |
| 10 | 32102-93230 | •ROTOR ASSY | 1 | 1 | |
| 11 | 02112-05208 | SCREW | 2 | 2 | |
| 12 | 08321-21058 | LOCK WASHER | 2 | 2 | |
| 13 | 08322-21058 | WASHER | 2 | 2 | |
| 14 | 08341-31049 | KEY | 1 | 1 | |
| 15 | 08321-21148 | LOCK WASHER | 1 | 1 | |
| 16 | 08310-22148 | NUT | 1 | 1 | |
| 17 | 09404-06415 | CLAMP, magneto cord | 1 | 1 | L:95 |

FIG.13 (D-5) : model C
FIG.15 (D-7) : model D (E13), model F (E13)

FIG. 15

D - 7

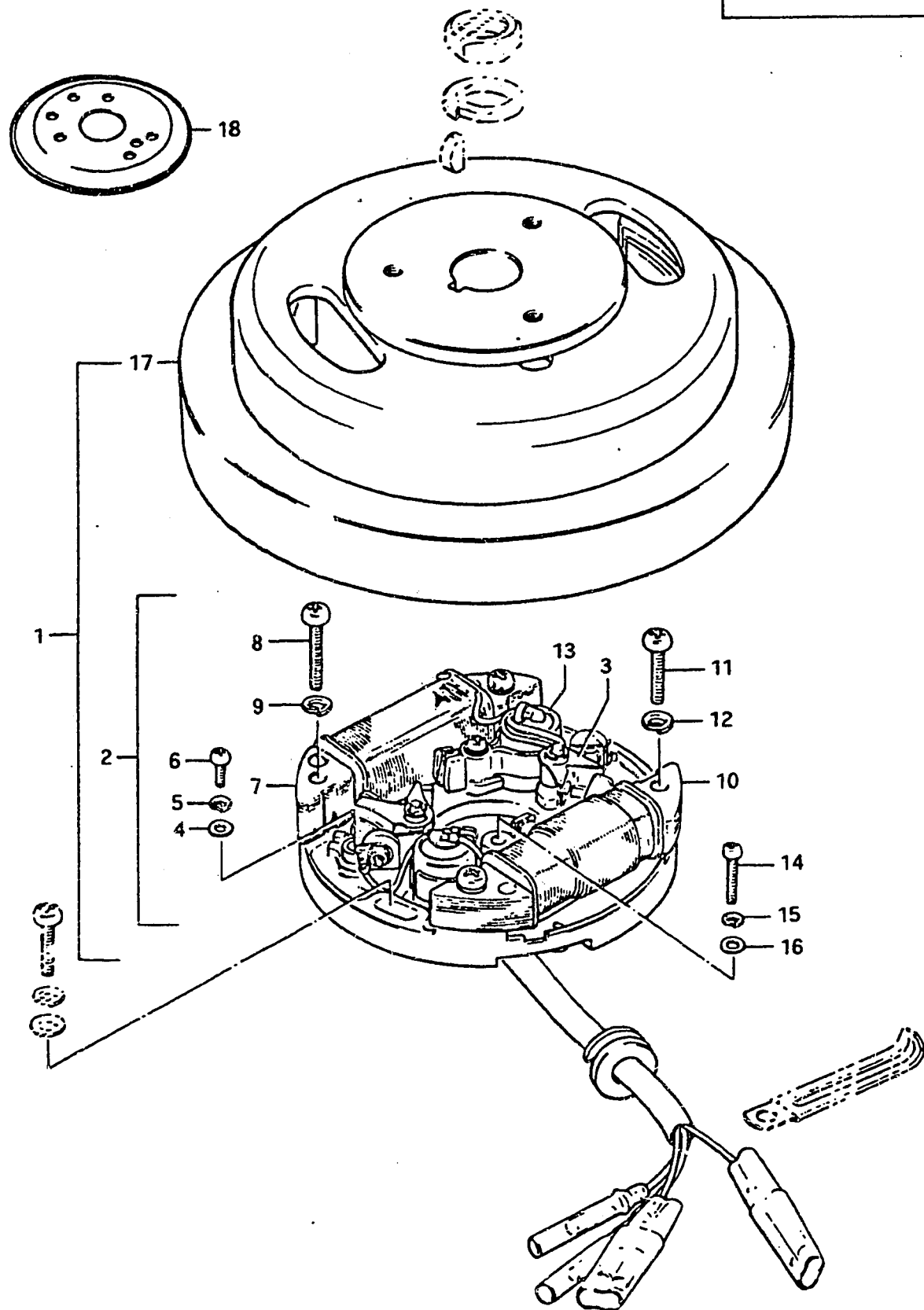


FIG. 15 MAGNETO (model D E13, model F E13)

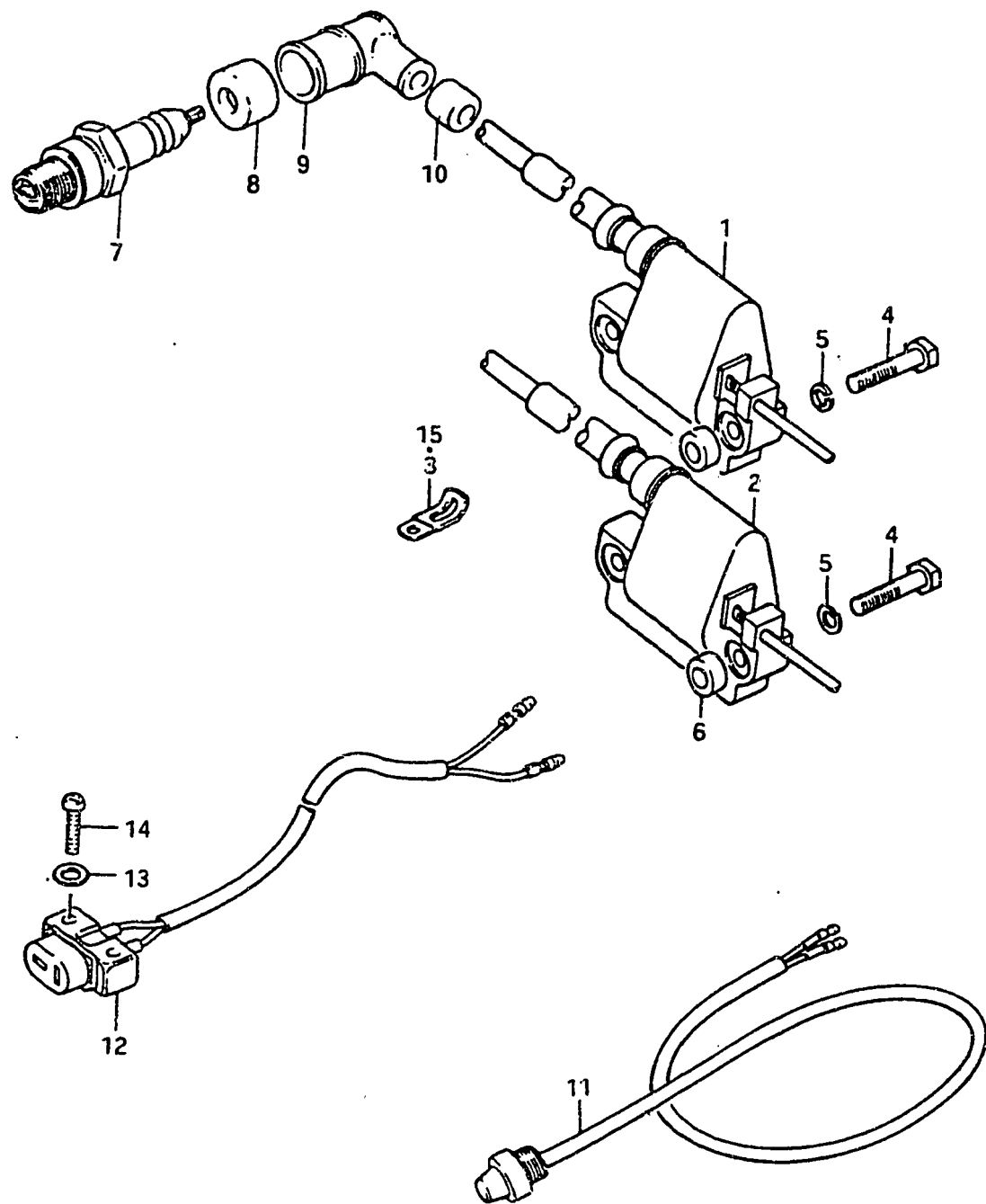
| Ref. No. | Part No. | Description | Q'ty | | Remarks |
|----------|-------------|--|------|---|----------------|
| | | | D | F | |
| 1 | 32100-93602 | MAGNETO ASSY | 1 | 1 | |
| 2-1 | 32101-96601 | •STATOR ASSY | 1 | - | to 32101-96602 |
| 2-2 | 32101-96602 | •STATOR ASSY | - | 1 | |
| 3-1 | 32260-97031 | ••POINT ASSY, contact | 2 | - | to 32260-96030 |
| 3-2 | 32260-96030 | ••POINT ASSY, contact | - | 2 | |
| 4 | 08322-21048 | ••WASHER | 2 | 2 | |
| 5 | 08321-21048 | ••LOCK WASHER | 2 | 2 | |
| 6 | 02311-04108 | ••SCREW | 2 | 2 | |
| 7 | 32140-93600 | ••COIL, primary | 1 | 1 | E13 |
| 8 | 02112-05308 | ••SCREW | 2 | 2 | |
| 9 | 08321-21058 | ••LOCK WASHER | 2 | 2 | |
| 10 | 32120-93131 | ••COIL, lighting (12V,80W) (COIL, battery charging) | 1 | 1 | |
| 11 | 02112-05258 | ••SCREW | 2 | 2 | |
| 12 | 08321-21058 | ••LOCK WASHER | 2 | 2 | |
| 13 | 32341-97030 | ••CONDENSER | 2 | 2 | |
| 14 | 02112-04208 | ••SCREW | 2 | 2 | |
| 15 | 08321-21048 | ••LOCK WASHER | 2 | 2 | |
| 16 | 08322-21048 | ••WASHER | 2 | 2 | |
| 17-1 | 32102-93132 | •ROTOR ASSY | 1 | - | to 32102-93133 |
| 17-2 | 32102-93133 | •ROTOR ASSY | - | 1 | |
| 18 | 32725-96001 | INSULATOR, magneto | 1 | 1 | |

FIG. 13 (D-5) : model C
 FIG. 14 (D-6) : model D, F

FIG. 16

D - 8

FIG. 16 ELECTRICAL (model C)

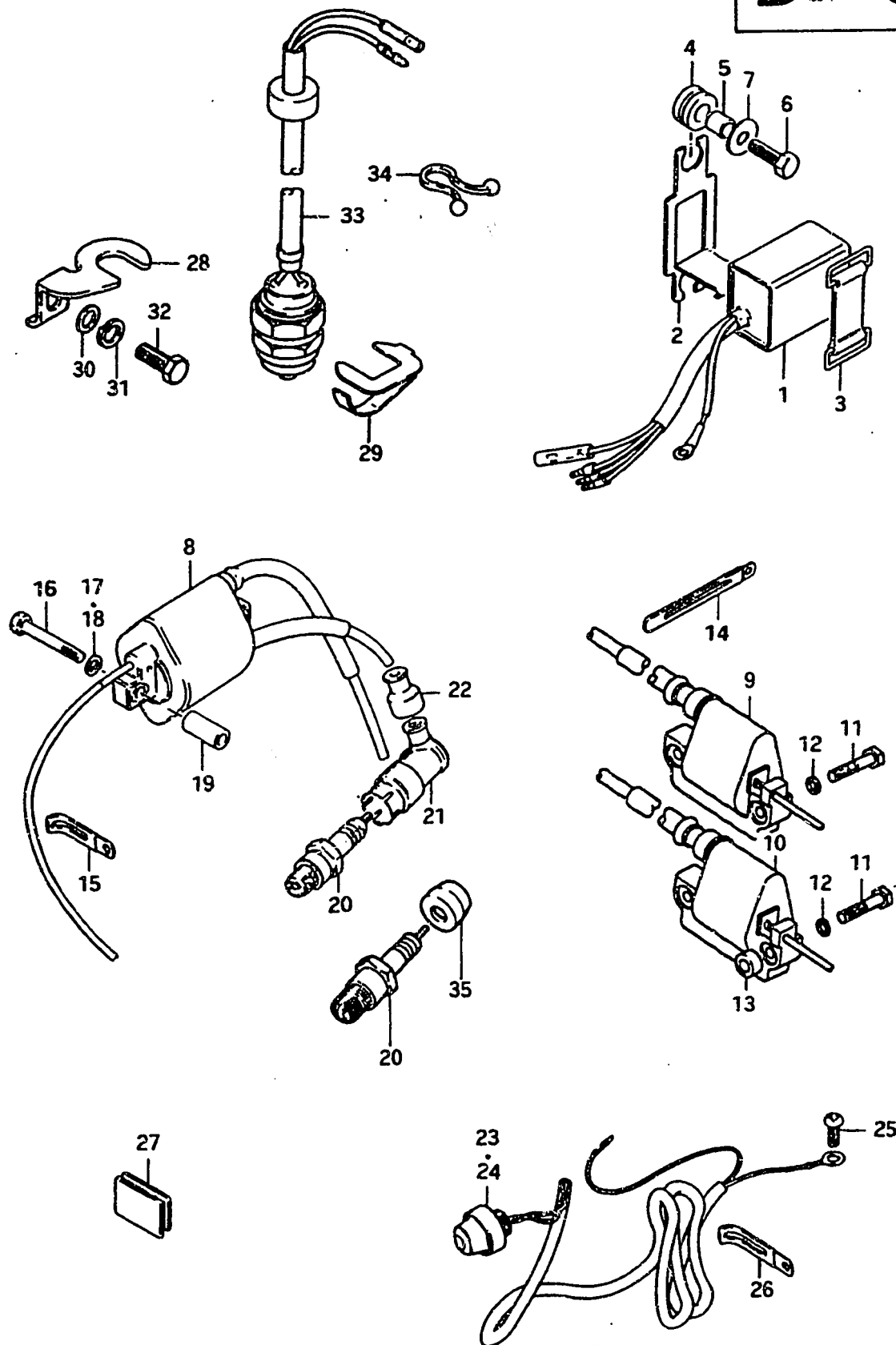


| Ref. No. | Part No. | Description | Q'ty | Remarks |
|----------|-------------|--|------|------------------|
| 1 | 33411-96130 | COIL ASSY, ignition upper | 1 | |
| 2 | 33412-96130 | COIL ASSY, ignition lower | 1 | |
| 3 | 09404-06402 | CLAMP, lead wire | 1 | to 09404-06412 |
| 4 | 01107-06358 | BOLT | 4 | |
| 5 | 08321-21068 | LOCK WASHER | 4 | |
| 6 | 09180-06030 | SPACER, ignition coil lower | 4 | |
| 7-1 | 09482-00082 | SPARK PLUG ASSY | 2 | NGK, B7HS |
| 7-2 | 09482-00116 | SPARK PLUG ASSY (DT9.9CE28, DT14CE28, DT16CE28) | 2 | NGK, BR7HS |
| 8 | 33541-98002 | SEAL, spark plug | 2 | |
| 9-1 | 33510-28300 | CAP, spark plug | 2 | |
| 9-2 | 33510-22010 | CAP, spark plug (DT9.9CE28, DT14CE28, DT16CE28) | 2 | |
| 10 | 33542-98000 | SEAL, high tension cord | 2 | |
| 11 | 37870-93112 | SWITCH ASSY, engine stop | 1 | to 37870-93113 |
| 12-1 | 39601-96711 | CONSENT ASSY, lamp | 1 | |
| 12-2 | 39601-96712 | CONSENT ASSY, lamp | 1 | from 39601-96711 |
| 13 | 08322-21048 | WASHER | 2 | |
| 14 | 02112-04208 | SCREW | 2 | |
| 15 | 09404-06401 | CLAMP, ignition coil lead wire | 1 | |

FIG.17

D-9

FIG.17 ELECTRICAL (model D, model F)

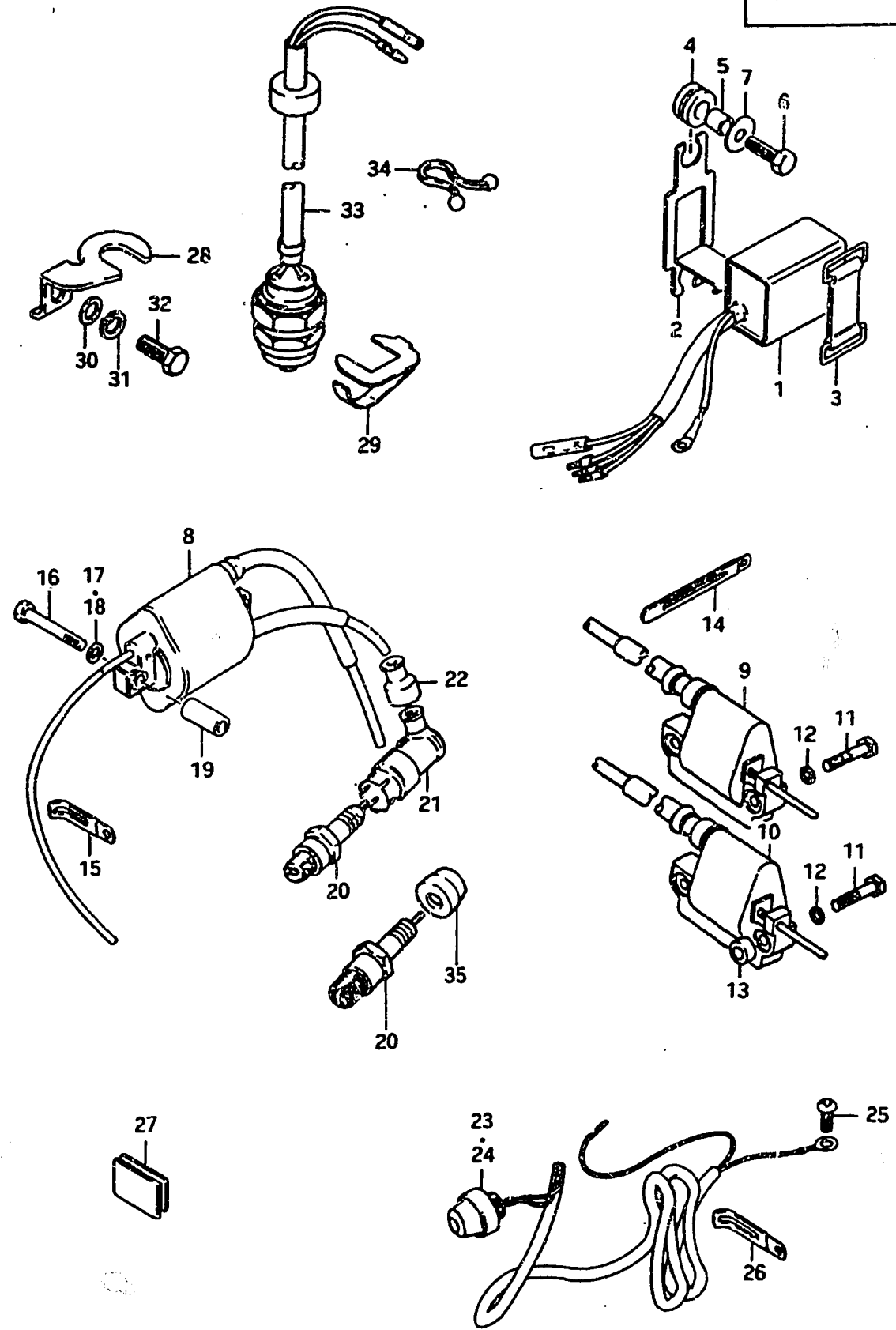


| Ref. No. | Part No. | Description | Q'ty | | Remarks |
|----------|-------------|--|------|---|--------------------------------|
| | | | D | F | |
| 1-1 | 32900-93230 | C.D.UNIT, ignition | 1 | - | to 32900-93231 ~DT16D-11442 |
| 1-2 | 32900-93231 | C.D.UNIT, ignition | 1 | 1 | |
| 2 | 32911-93200 | BRACKET, C.D. unit | 1 | 1 | |
| 3 | 09462-00017 | BAND, C.D. unit | 1 | 1 | |
| 4 | 09320-08001 | CUSHION | 2 | 2 | |
| 5 | 09180-06044 | SPACER | 2 | 2 | 6.1x8x9.5 |
| 6 | 01107-06208 | BOLT | 2 | 2 | |
| 7 | 09160-06007 | WASHER | 2 | 2 | |
| 8-1 | 33410-93230 | COIL ASSY, ignition | 1 | - | to 33410-93231 ~DT16D-11442 |
| 8-2 | 33410-93231 | COIL ASSY, ignition | 1 | 1 | |
| 9 | 33411-96130 | COIL ASSY, ignition upper | 1 | 1 | } E13 |
| 10 | 33412-96130 | COIL ASSY, ignition lower | 1 | 1 | |
| 11 | 01107-06358 | BOLT | 4 | 4 | |
| 12 | 08321-21068 | LOCK WASHER | 4 | 4 | } L:50 |
| 13 | 09180-06030 | SPACER (6.8x10x10) | 4 | 4 | |
| 14 | 09404-06401 | CLAMP, ignition lead wire | - | 1 | |
| 15 | 09404-06401 | CLAMP, ignition lead wire | 1 | - | |
| 16-1 | 01107-06408 | BOLT | 2 | - | ~DT9.9D-11726, ~DT14D-10351 |
| 16-2 | 01107-06458 | BOLT | 2 | 2 | |
| 17 | 08321-21068 | LOCK WASHER | 2 | 2 | |
| 18 | 09160-06031 | WASHER (6.3x14x1.6) | 2 | 2 | DT9.9D-11727~ DT14D-10352~ |
| 19 | 09180-06067 | SPACER, ignition coil | 2 | 2 | 6.5x10.5x22.5 |
| 20-1 | 09482-00088 | SPARK PLUG ASSY (DT9.9) | 2 | 2 | NGK, BR6HS |
| 20-2 | 09482-00116 | SPARK PLUG ASSY (DT14, DT16) | 2 | 2 | NGK, BR7HS |
| 20-3 | 09482-00095 | SPARK PLUG ASSY (DT9.9 E13) | 2 | 2 | NGK, B6HS |
| 20-4 | 09482-00082 | SPARK PLUG ASSY (DT9.9 E38) | - | 2 | NGK, B7HS |
| 20-5 | 09482-00082 | SPARK PLUG ASSY (DT14/DT16 E13) | 2 | 2 | NGK, B7HS |
| 20-6 | 09482-00082 | SPARK PLUG ASSY (DT14/DT16 E38) | - | 2 | NGK, B7HS |
| 21-1 | 33510-93310 | CAP, spark plug to (33510-22010)+(33541-93310) | 2 | 2 | |
| 21-2 | 33510-41111 | CAP, spark plug | 2 | 2 | E13, to 33510-95510 |
| 21-3 | 33510-41111 | CAP, spark plug | - | 2 | E38 |

FIG.17

D - 10

FIG.17 ELECTRICAL (model D, model F)

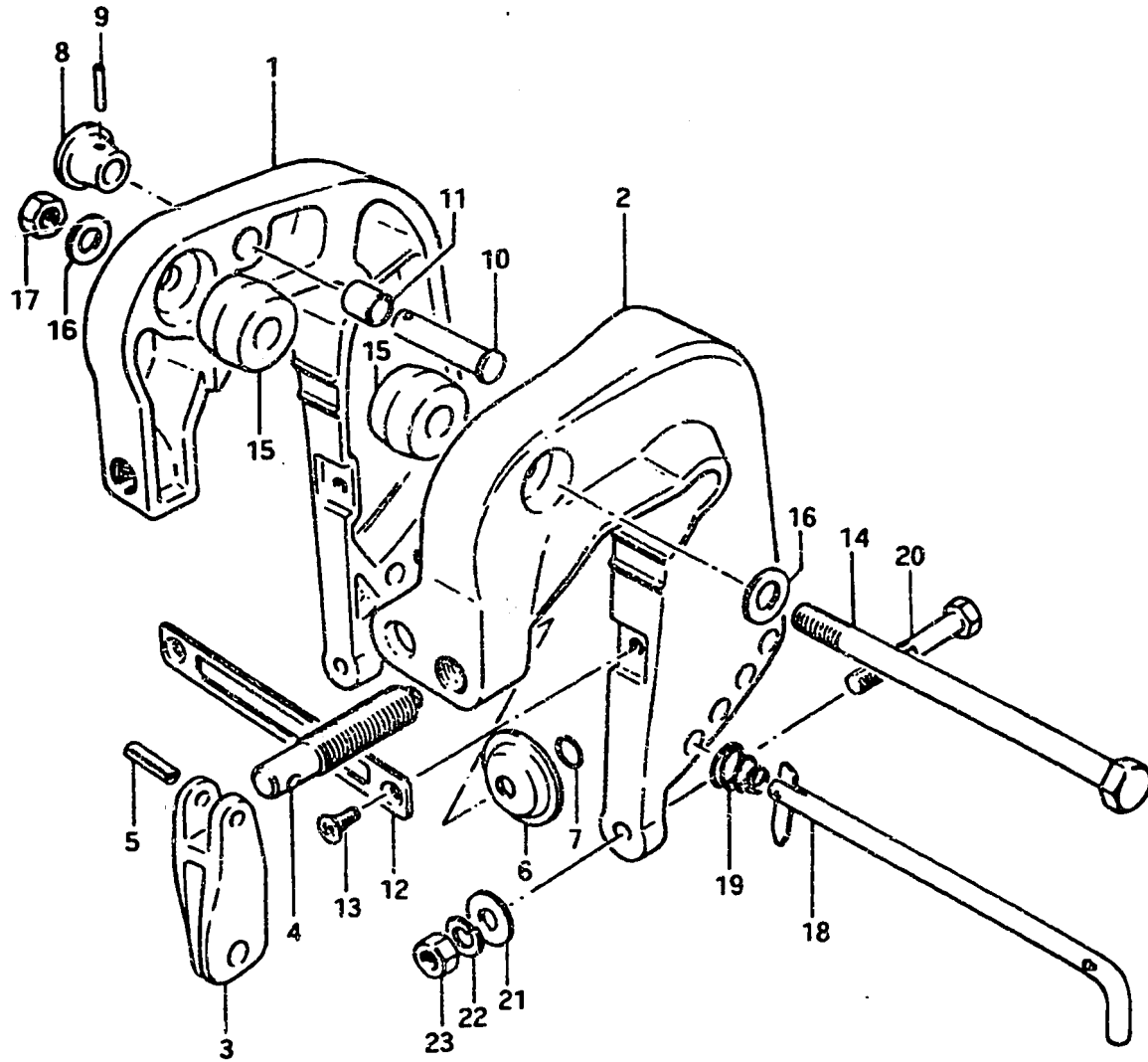


| Ref. No. | Part No. | Description | Q'ty | | Remarks |
|----------|-------------|--------------------------|------|---|-----------------------------|
| | | | D | F | |
| 22 | 335.2-98000 | SEAL, high tension cord | 2 | 2 | |
| 23-1 | 37800-99015 | SWITCH ASSY, engine stop | 1 | 1 | to 37800-99016 |
| 23-2 | 37800-99016 | SWITCH ASSY, engine stop | - | 1 | |
| 24-1 | 37870-93113 | SWITCH ASSY, engine stop | 1 | 1 | E13 |
| 24-2 | 37800-93150 | SWITCH ASSY, engine stop | - | 1 | from 37870-93113 |
| 25 | 09125-06020 | SCREW, stop switch earth | 1 | 1 | |
| 26 | 09404-06402 | CLAMP, lead wire (L:60) | 2 | 2 | to 09404-06412 |
| 27 | 39669-93500 | CAP, consent | 1 | 1 | from 39669-93300 |
| 28 | 37726-93100 | BRACKET, neutral switch | - | 1 | to 37726-93101 |
| 29 | 37725-93100 | ACTUATOR, neutral switch | - | 1 | |
| 30 | 09160-06015 | WASHER (6.5x13x1) | - | 1 | DT9.9E3,DT9.9YE3, DT16E3 |
| 31 | 09162-06001 | LOCK WASHER | - | 1 | |
| 32 | 09100-06018 | BOLT | - | 1 | |
| 33 | 37721-95250 | SWITCH ASSY, neutral | - | 1 | |
| 34 | 09408-00020 | CLAMP, lead wire | - | 1 | |
| 35 | 33541-93310 | SEAL, spark plug | - | 2 | for 33510-22010 |

FIG. 18

D - 11

FIG. 18 CLAMP BRACKET



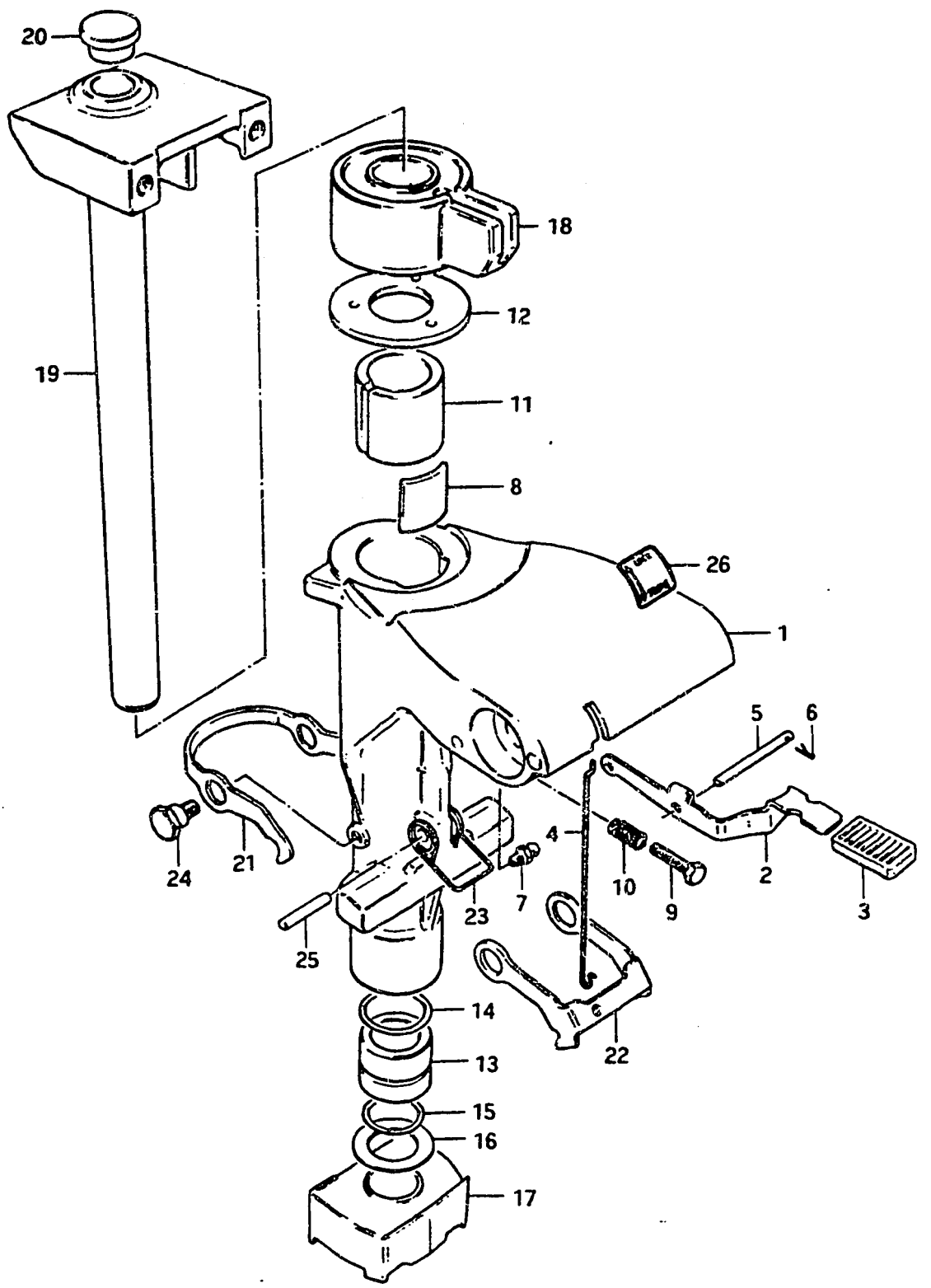
Q'ty

| Ref. No. | Part No. | Description | C | D | F | Remarks |
|----------|-----------------|---------------------------|---|---|---|--------------------|
| 1-1 | 41111-93003-01J | BRACKET, clamp RH | 1 | 1 | - | to 41111-93004-01J |
| 1-2 | 41111-93004-01J | BRACKET, clamp RH | - | - | 1 | |
| 2-1 | 41121-93002-01J | BRACKET, clamp LH | 1 | 1 | - | to 41121-93003-01J |
| 2-2 | 41121-93003-01J | BRACKET, clamp LH | - | - | 1 | to 41121-93004-01J |
| 3 | 41212-93000-01J | HANDLE, clamp | 2 | 2 | 2 | |
| 4 | 41211-93000 | SCREW, clamp | 2 | 2 | 2 | |
| 5 | 09205-06007 | PIN, clamp handle | 2 | 2 | 2 | |
| 6 | 41213-93000 | PLATE, clamp | 2 | 2 | 2 | |
| 7 | 09380-07001 | RING, clamp plate | 2 | 2 | 2 | |
| 8 | 41221-93001 | KNOB, tilt stopper | 1 | 1 | 1 | |
| 9 | 09205-03015 | PIN, tilt stopper knob | 1 | 1 | 1 | OD:3,L:18 |
| 10 | 09200-12001 | PIN, tilt stopper | 1 | 1 | 1 | |
| 11 | 09300-12009 | BUSHING, tilt stopper pin | 1 | 1 | 1 | |
| 12 | 41311-93000 | PLATE, clamp bracket | 1 | 1 | 1 | L:120 |
| 13 | 09126-06001 | SCREW | 2 | 2 | 2 | 6x12 |
| 14 | 09100-10086 | BOLT, clamp bracket | 1 | 1 | 1 | 10x175 |
| 15 | 09306-11002 | BUSHING, swivel bracket | 2 | 2 | 2 | |
| 16 | 09160-10040 | WASHER, clamp bracket | 2 | 2 | 2 | 10.5x19x2 |
| 17-1 | 09159-10016 | NUT, clamp bracket | 1 | 1 | 1 | to 09140-10015 |
| 17-2 | 09140-10015 | NUT, clamp bracket | - | - | 1 | |
| 18 | 45420-93000 | PIN, tilt lock | 1 | 1 | 1 | L:193 |
| 19 | 09441-17001 | SPRING, tilt lock pin | 1 | 1 | 1 | |
| 20 | 09100-08111 | BOLT, transom | 2 | - | - | 8x90 |
| 21 | 09160-08014 | WASHER, transom | 2 | - | - | 8.5x23x1.5 |
| 22 | 09162-08003 | LOCK WASHER, transom | 2 | - | - | |
| 23 | 09140-08003 | NUT, transom | 2 | - | - | |

FIG.19

D - 12

FIG.19 SWIVEL BRACKET



| Ref. No. | Part No. | Description | Q'ty | | | Remarks |
|----------|-----------------|---|------|---|---|---------------------------------|
| | | | C | D | F | |
| 1-1 | 43111-93102-01J | BRACKET, swivel to (43111-93103-01J)+(09100-08139)+(09440-12019) | 1 | 1 | 1 | |
| 1-2 | 43111-93103-01J | BRACKET, swivel | - | - | 1 | to 43111-93104-01J |
| 2-1 | 45251-93000 | LEVER, release | 1 | 1 | 1 | to 45251-93001 |
| 2-2 | 45251-93001 | LEVER, release | - | - | 1 | |
| 3 | 45255-93000 | RUBBER, release lever | 1 | 1 | 1 | |
| 4 | 45252-93100 | LINK, release lever (L:131.5) | 1 | 1 | 1 | |
| 5 | 09200-05005 | PIN, release lever (L:41) | 1 | 1 | 1 | |
| 6 | 09204-01001 | COTTER PIN | 2 | 2 | 2 | |
| 7 | 22511-99000 | GREASE NIPPLE | 1 | 1 | 1 | |
| 8 | 43411-93101 | ADJUSTER, steering | 1 | 1 | 1 | |
| 9 | 09128-06014 | BOLT, adjusting (6x20) | 1 | 1 | 1 | |
| 10 | 09440-09009 | SPRING, steering adjuster | 1 | 1 | 1 | to 09440-09012 |
| 11 | 43711-93101 | BUSHING, steering upper | 1 | 1 | 1 | |
| 12 | 43712-93101 | PLATE, steering upper bushing | 1 | 1 | 1 | |
| 13 | 43721-93101 | BUSHING, steering lower | 1 | 1 | 1 | |
| 14 | 09280-33003 | O RING, steering bushing | 1 | 1 | 1 | ID:32.7,d:3.1 |
| 15 | 09280-27002 | O RING, pilot shaft | 1 | 1 | 1 | ID:26.7,d:3.1 |
| 16 | 43722-93101 | PLATE, swivel bracket | 1 | 1 | 1 | |
| 17 | 54150-93100 | BUSHING, pilot shaft lower | 1 | 1 | 1 | |
| 18 | 54120-93100 | BUSHING, pilot shaft upper | 1 | 1 | 1 | |
| 19 | 43740-93102 | SHAFT, pilot | 1 | 1 | 1 | |
| 20 | 43745-93100 | CAP, pilot shaft | 1 | 1 | 1 | |
| 21 | 45231-93101 | ARM, reverse lock | 1 | 1 | 1 | |
| 22 | 45241-93101 | LINK, reverse lock arm | 1 | 1 | 1 | |
| 23 | 45211-93102 | SPRING, reverse lock arm | 1 | 1 | 1 | |
| 24 | 09111-08017 | BOLT, reverse lock arm | 2 | 2 | 2 | |
| 25-1 | 09202-06013 | PIN, reverse lock arm | 1 | 1 | - | to 09209-06035 |
| 25-2 | 09209-06035 | PIN, reverse lock arm (6x35) | - | 1 | 1 | |
| 26-1 | 43241-93100 | MARK, release lever | 1 | 1 | - | ~DT9.9D-10351 to 43241-93101 |
| 26-2 | 43241-93101 | MARK, release lever | - | 1 | 1 | |

FIG. 20

D - 13

FIG.20 DRIVE SHAFT HOUSING

| Ref. No. | Part No. | Description | Q'ty | | | Remarks |
|----------|-----------------|------------------------------|------|---|---|---|
| | | | C | D | F | |
| 1-1 | 52110-93104-01J | HOUSING, drive shaft | 1 | 1 | 1 | to 52110-93105-01J |
| 1-2 | 52110-93106-01J | HOUSING, drive shaft | - | - | 1 | from 52110-93105-01J to (52110-93500-01J)+(52113-93500)+(17531-93500-01J) |
| 2 | 09205-05001 | -PIN | 1 | 1 | 1 | |
| 3 | 09305-15002 | BUSHING, drive shaft housing | 1 | 1 | 1 | UL type,15.8x26x25 |
| 4 | 09100-06035 | BOLT, drive shaft housing | 8 | 8 | 8 | 6x40 |
| 5 | 09162-06001 | LOCK WASHER | 8 | 8 | 8 | |
| 6 | 09202-06015 | DOWEL PIN | 1 | 1 | 1 | |
| 7 | 52131-93102-01J | CASE, extension | 1 | 1 | 1 | L type,L:127 to (52131-93500-01J)+(17431-93002)+(17441-93510) |
| 8 | 52131-93762-01J | CASE, extension | 1 | 1 | 1 | UL type,L:236 to (52131-93520-01J)+(17431-93761)+(17441-93510) |
| 9 | 09100-08112 | BOLT | 4 | 4 | 4 | L,UL type |
| 10 | 09162-08003 | LOCK WASHER | 4 | 4 | 4 | |
| 11-1 | 62111-93103-01J | GUARD, front | 1 | 1 | - | |
| 11-2 | 62111-93104-01J | GUARD, front | - | - | 1 | to 62111-93105-01J |
| 12 | 09100-08101 | BOLT, front guard (8x40) | 2 | 2 | 2 | |
| 13 | 09160-08015 | WASHER, front guard | 2 | 2 | 2 | 8.5x16x1.2 |
| 14 | 54211-93100-01J | COVER, lower bushing RH | 1 | 1 | 1 | |
| 15 | 54221-93100-01J | COVER, lower bushing LH | 1 | 1 | 1 | |
| 16 | 09108-08036 | STUD BOLT (8x25) | 2 | 2 | 2 | |
| 17 | 09160-08015 | WASHER (8.5x16x1.2) | 2 | 2 | 2 | |
| 18 | 09145-08002 | CROWN NUT | 2 | 2 | 2 | |
| 19 | 09108-06007 | STUD BOLT (6x25) | 1 | 1 | 1 | |
| 20 | 09108-06025 | STUD BOLT (6x30) | 1 | 1 | 1 | |
| 21 | 09162-06001 | LOCK WASHER | 2 | 2 | 2 | |
| 22 | 09140-06004 | NUT | 2 | 2 | 2 | |

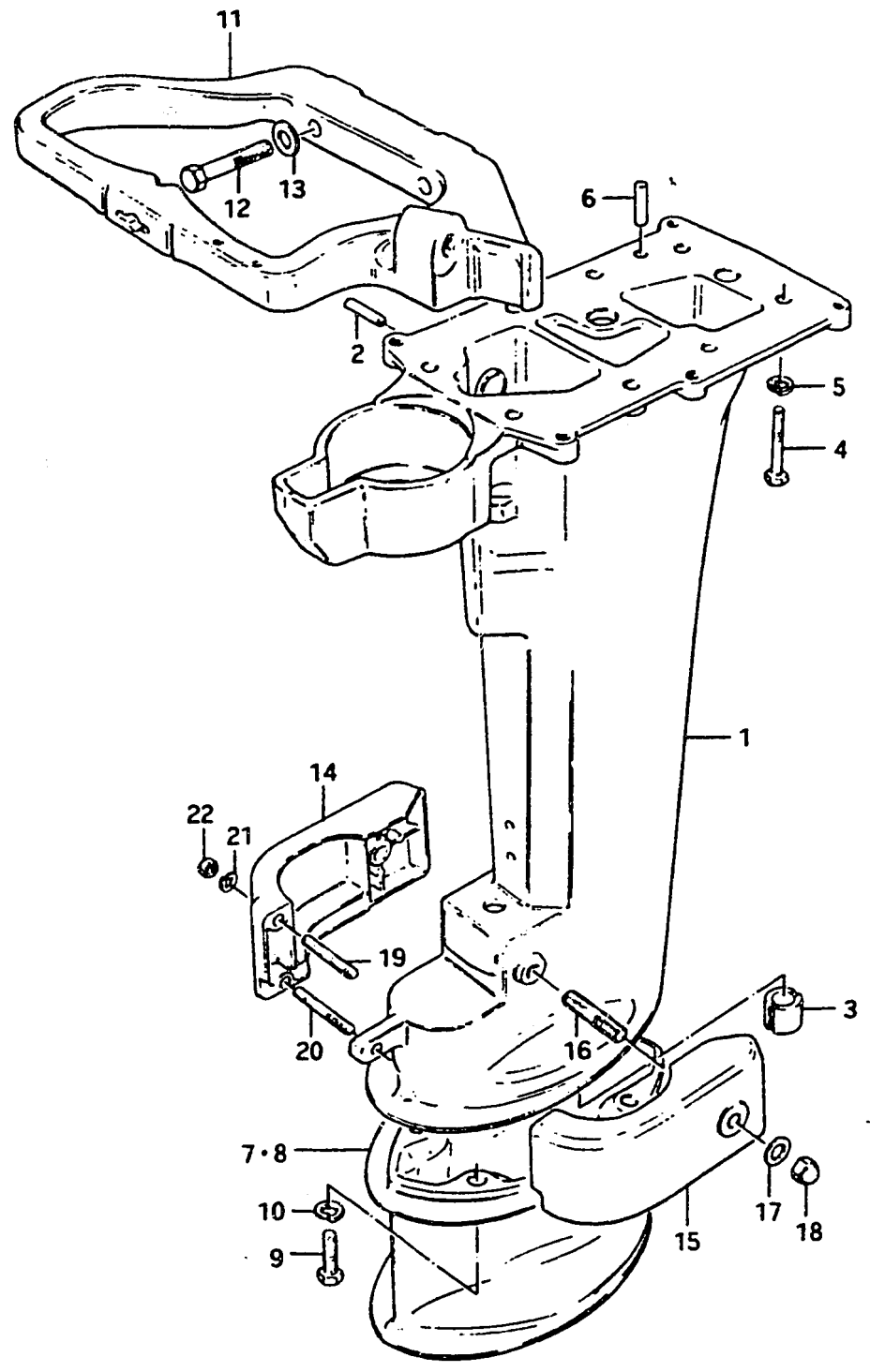
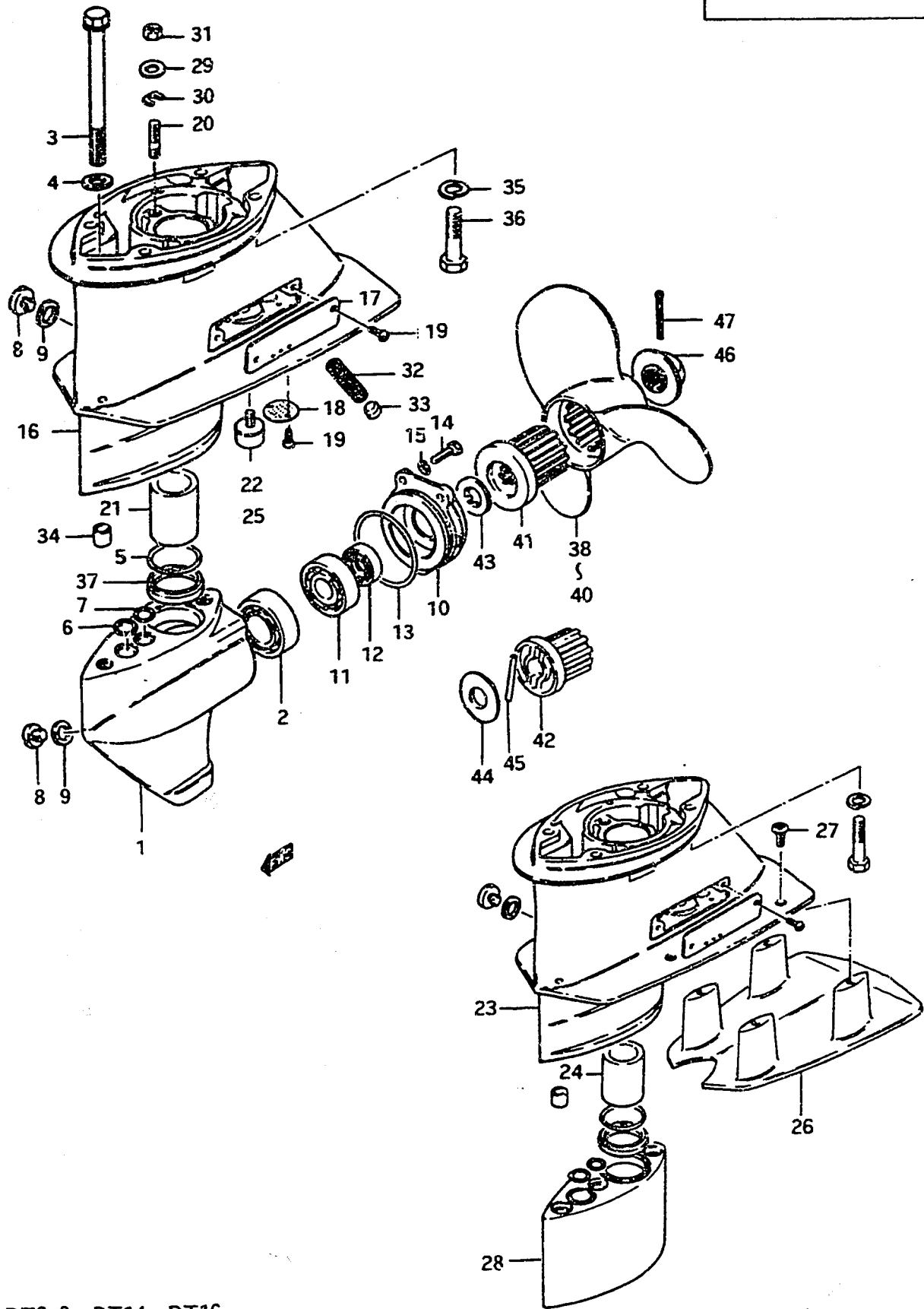


FIG. 21

E - 2

FIG. 21 GEAR CASE - PROPELLER

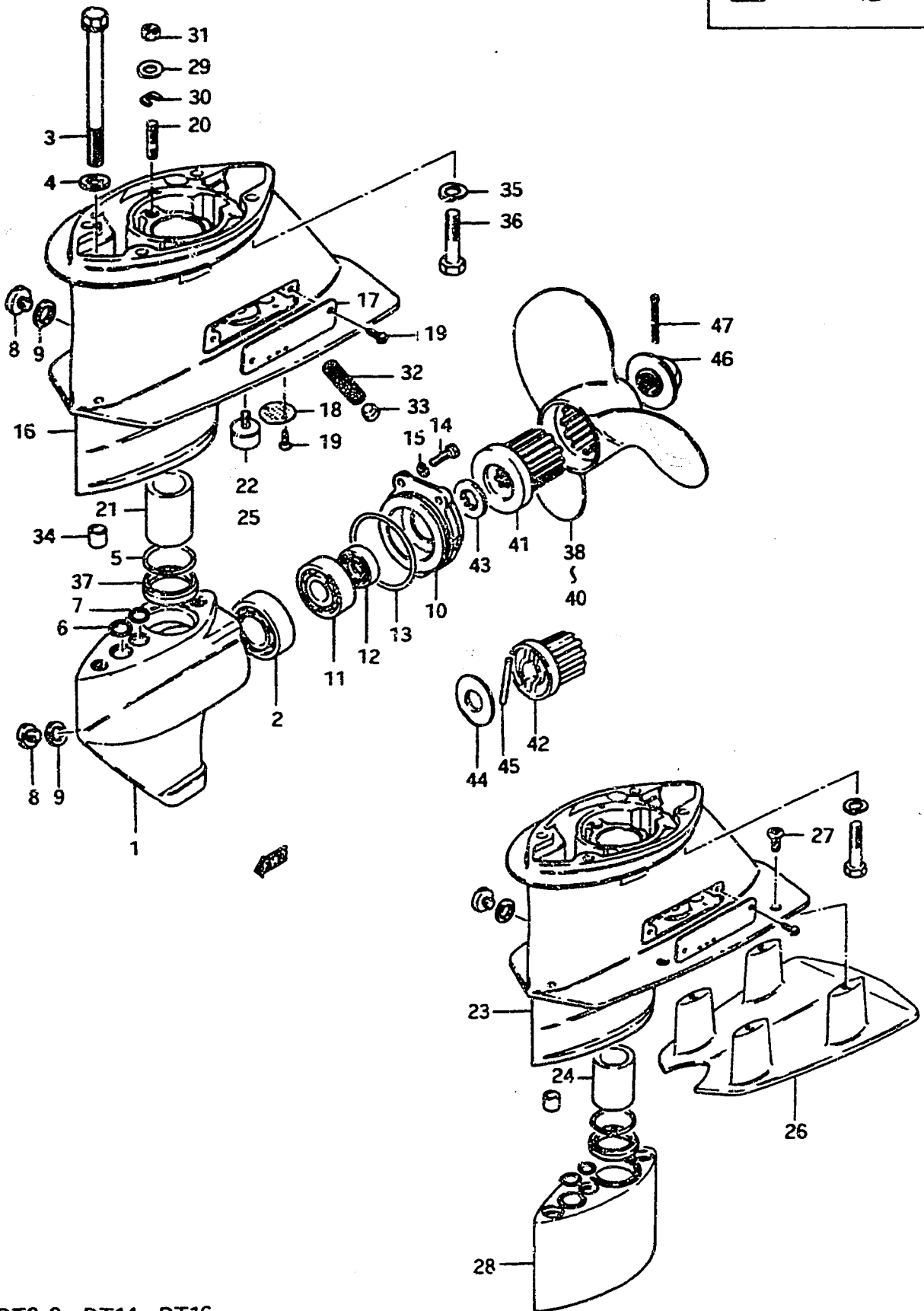


| Ref. No. | Part No. | Description | Q'ty | | | Remarks |
|----------|-----------------|---|------|---|---|-------------------------------|
| | | | C | D | F | |
| 1-1 | 55100-93822-01J | CASE ASSY, gear | 1 | - | - | to 55100-93823-01J |
| 1-2 | 55100-93823-01J | CASE ASSY, gear | - | 1 | 1 | to 55100-93824-01J |
| 1-3 | 55100-93824-01J | CASE ASSY, gear | - | - | 1 | to 55100-93825-01J |
| 2 | 08113-62050 | -BEARING | 1 | 1 | 1 | |
| 3-1 | 09103-10007 | BOLT, gear case (10x95) | 2 | 2 | 2 | |
| 3-2 | 52134-93280 | BOLT, gear case (10x175) | - | 2 | 2 | DT9.9Y |
| 4 | 09160-10040 | WASHER, gear case | 2 | 2 | 2 | 10.5x19x2 |
| 5 | 09280-35001 | O RING, drive shaft spacer | 1 | 1 | 1 | ID:34.6,d:1.9 |
| 6 | 09280-18002 | O RING, gear shifting cam | 1 | 1 | 1 | ID:17.2,d:1.9 |
| 7 | 09280-10005 | O RING, gear case | 1 | 1 | 1 | ID:9.8,d:1.9 |
| 8 | 09248-10003 | PLUG, drain | 2 | 2 | 2 | |
| 9 | 09168-10004 | GASKET, drain plug | 2 | 2 | 2 | 10x13.5x2 to 09168-10022 |
| 10-1 | 56111-93100-01J | HOUSING, bearing | 1 | 1 | - | |
| 10-2 | 56111-93101-01J | HOUSING, bearing | - | - | 1 | to 56111-93102-01J |
| 11 | 08113-63030 | BEARING | 1 | 1 | 1 | |
| 12 | 09289-17002 | OIL SEAL, bearing housing | 1 | 1 | 1 | 17x30x9 |
| 13 | 09280-60002 | O RING, bearing housing | 1 | 1 | 1 | ID:59.4,d:3.1 |
| 14 | 09100-06020 | BOLT, bearing housing | 3 | 3 | 3 | 6x20 |
| 15 | 09162-06001 | LOCK WASHER, bearing housing | 3 | 3 | 3 | |
| 16-1 | 52150-93812-01J | HOUSING ASSY, lower | 1 | - | - | to 52150-93813-01J |
| 16-2 | 52150-93813-01J | HOUSING ASSY, lower | - | 1 | 1 | to 52150-93103-01J |
| 17 | 55112-93100 | -COVER, housing side | 1 | 1 | 1 | |
| 18-1 | 55114-93000 | -COVER, housing lower to 55114-98500 | 1 | 1 | - | ~DT9.9D-12825 ~DT16D-11819 |
| 18-2 | 55114-98500 | -COVER, housing lower | - | 1 | 1 | |
| 19-1 | 03212-04109 | -SCREW | 4 | - | - | to 03112-04109 |
| 19-2 | 03112-04109 | -SCREW | - | 4 | 4 | |
| 20 | 09108-05002 | -STUD BOLT (5x9) | 2 | 2 | 2 | |
| 21 | 09180-25046 | -SPACER (25x31x42) | 1 | 1 | 1 | |
| 22 | 55321-93141 | -ZINC | 1 | 1 | 1 | from 21-93140 |
| 23 | 52150-93820-01J | HOUSING SET, lower | - | 1 | 1 | DT9.9Y |
| 24 | 09180-25046 | -SPACER (25x31x42) | - | 1 | 1 | |
| 25 | 55321-93141 | -ZINC | - | 1 | 1 | from 55321-93140 |
| 26 | 52155-93280-01J | PLATE, extra cavitation | - | 1 | 1 | |
| 27-1 | 09126-06002 | SCREW (L:15) | - | 4 | - | |
| 27-2 | 09126-06004 | SCREW (L:20) | - | - | 4 | |
| 28 | 52133-93280-01J | EXTENSION, extra (H:80) | - | 1 | 1 | |

FIG.21

E - 3

FIG.21 GEAR CASE - PROPELLER

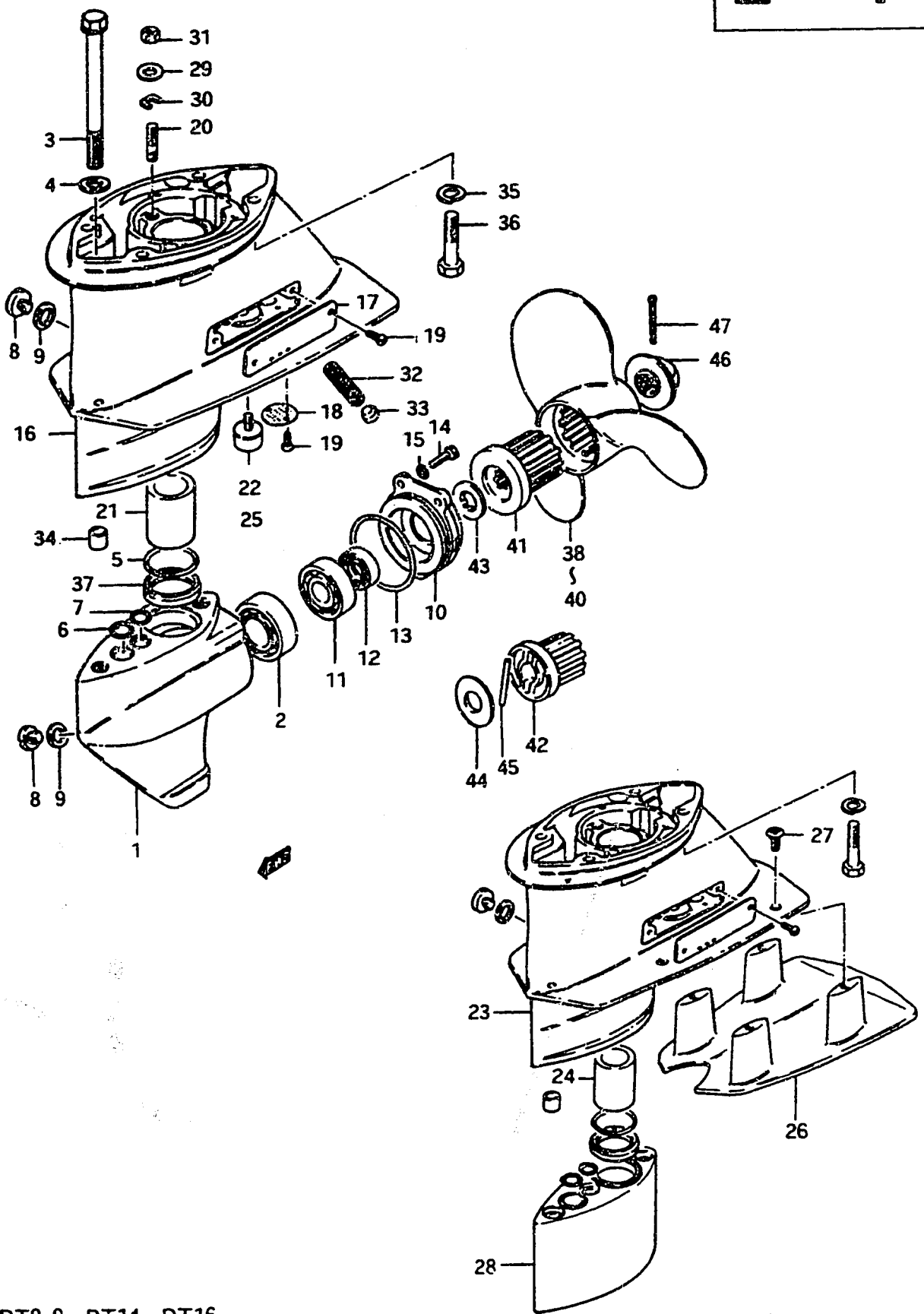


| Ref. No. | Part No. | Description | Q'ty | | | Remarks |
|----------|-----------------|----------------------------|------|---|---|-------------------------------|
| | | | C | D | F | |
| 29 | 09160-05010 | WASHER, oil seal stopper | 2 | 2 | 2 | |
| 30 | 52162-93100 | SPACER, oil seal stopper | 2 | 2 | 2 | |
| 31 | 09140-05001 | NUT, oil seal stopper | 2 | 2 | 2 | |
| 32 | 17631-93000 | FILTER, water | 1 | 1 | 1 | |
| 33 | 09243-11004 | PLUG, water filter | 1 | 1 | 1 | |
| 34-1 | 09206-13005 | DOWEL PIN | - | 1 | 1 | |
| 34-2 | 09206-13005 | DOWEL PIN | - | 3 | 3 | DT9.9Y |
| 35 | 09162-08003 | LOCK WASHER, lower housing | 4 | 4 | 4 | |
| 36 | 09100-08112 | BOLT | 4 | 4 | 4 | |
| 37 | 52156-93100 | SPACER, lower housing | 1 | 1 | 1 | |
| 38-1 | 58111-93100-01T | PROPELLER | 1 | - | - | to 58111-93101-01T |
| 38-2 | 58111-93101-01T | PROPELLER } 3x225x205 | - | 1 | - | |
| 38-3 | 58111-96131-01T | PROPELLER (H800) | - | - | 1 | from 58111-96130-01T |
| 39-1 | 58111-93750-01T | PROPELLER | 1 | - | - | to 58111-93751-01T |
| 39-2 | 58111-93751-01T | PROPELLER } 3x225x230 | - | 1 | - | |
| 39-3 | 58111-96140-01T | PROPELLER (H901) | - | - | 1 | |
| 40-1 | 58111-93780-01T | PROPELLER } 3x225x255 | 1 | - | - | to 58111-93781-01T |
| 40-2 | 58111-93782-01T | PROPELLER (H1000) | - | 1 | 1 | from 58111-93781-01T |
| 41-1 | 58120-93054 | BUSHING, propeller (56φ) | 1 | 1 | - | SPLINE TYPE (BUSHING TYPE) |
| 41-2 | 58120-96110 | BUSHING, propeller (49φ) | - | - | 1 | |
| 42-1 | 58120-93052 | BUSHING, propeller (56φ) | 1 | 1 | - | DT9.9/DT14 E13 |
| 42-2 | 58120-93052 | BUSHING, propeller (56φ) | 1 | - | - | DT16 E37 |
| 42-3 | 58120-93052 | BUSHING, propeller (56φ) | - | 1 | - | DT16 E13 to 58120-93022 |
| 42-4 | 58120-96100 | BUSHING, propeller (49φ) | - | - | 1 | E13, E38 SHEAR PIN TYPE |

FIG. 21

E - 4

FIG. 21 GEAR CASE - PROPELLER

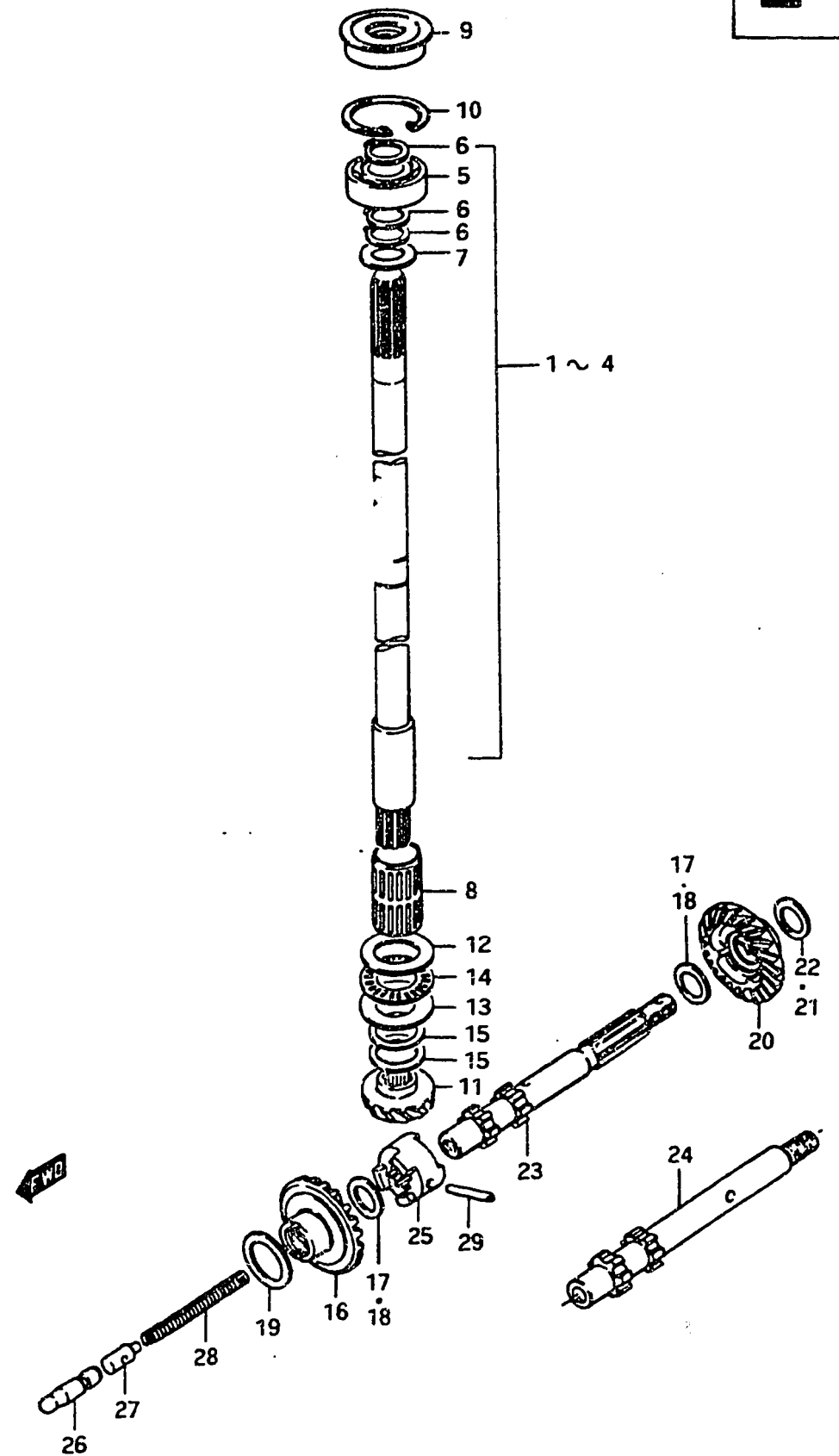


| Ref. No. | Part No. | Description | Q'ty | | | Remarks |
|----------|-------------|----------------------------------|------|---|---|----------------------------|
| | | | C | D | F | |
| 43 | 57613-93000 | STOPPER, propeller bushing | 1 | 1 | 1 | |
| 44-1 | 09161-16006 | WASHER, shear pin (16.5x46x4) | 1 | 1 | - | DT9.9/DT14 E13 |
| 44-2 | 09161-16006 | WASHER, shear pin (16.5x46x4) | 1 | - | - | DT16 E37 |
| 44-3 | 09161-16006 | WASHER, shear pin (16.5x46x4) | - | 1 | - | DT16 E13 |
| 44-4 | 57614-96100 | WASHER, shear pin (24x42x4) | - | - | 1 | E13, E38 |
| 45-1 | 09202-06017 | SHEAR PIN (6x35) | 1 | 1 | 1 | DT9.9/DT14 E13 |
| 45-2 | 09202-06017 | SHEAR PIN (6x35) | - | 1 | 1 | DT16 E13 |
| 45-3 | 09202-06017 | SHEAR PIN (6x35) | - | - | 1 | E38 |
| 45-4 | 09202-06013 | SHEAR PIN (6x35) | 1 | - | - | DT16 E37 to 09209-06035 |
| 46-1 | 58131-93000 | NUT, propeller | 1 | 1 | 1 | to 58130-93100 |
| 46-2 | 58130-93100 | NUT, propeller | - | - | 1 | |
| 47 | 09204-03001 | COTTER PIN, propeller | 1 | 1 | 1 | |

FIG. 22

E - 5

FIG. 22 TRANSMISSION



| Ref. No. | Part No. | Description | Q'ty | | | Remarks |
|----------|-------------|--------------------------------------|------|----|---|------------------------------------|
| | | | C | D | F | |
| 1 | 57110-93101 | SHAFT ASSY, drive (L type,L:798) | 1 | 1 | 1 | from 57110-93100 |
| 2-1 | 57110-93750 | SHAFT ASSY, drive (S type,L:671) | 1 | 1 | 1 | |
| 2-2 | 57110-93751 | SHAFT ASSY, drive (S type,L:671) | - | - | 1 | from 57110-93750 |
| 3-1 | 57110-93760 | SHAFT ASSY, drive (UL type,L:907) | 1 | 1 | 1 | |
| 3-2 | 57110-93761 | SHAFT ASSY, drive (UL type,L:907) | - | - | 1 | from 57110-93760 |
| 4 | 57110-93280 | SHAFT ASSY, drive (DT9.9Y) | - | 1 | 1 | L:878 |
| 5 | 08113-62020 | -BEARING | 1 | 1 | 1 | |
| 6 | 08331-31159 | -CIRCLIP | 3 | 3 | 3 | |
| 7 | 08211-15241 | -WASHER | 1 | 1 | 1 | |
| 8 | 09263-20016 | BEARING, drive shaft | 1 | 1 | 1 | 20x25x39.8 |
| 9 | 09289-15003 | OIL SEAL, drive shaft | 1 | 1 | 1 | 15x35x11 to 09289-15006 |
| 10 | 08331-21358 | CIRCLIP | 1 | 1 | 1 | |
| 11-1 | 57311-93102 | PINION (Oerlikon Type,NT:12) | 1 | 1 | - | |
| 11-2 | 57311-93103 | PINION (Gleason Type,NT:12) | - | - | 1 | to (57311-93104)+ (08211-20301) |
| 12 | 09160-21009 | THRUST WASHER, pinion upper | 1 | 1 | 1 | 21x35x2.75 |
| 13 | 09160-20027 | THRUST WASHER, pinion lower | 1 | 1 | 1 | 20x35x2.75 |
| 14 | 09263-20014 | BEARING, pinion thrust | 1 | 1 | 1 | |
| 15-1 | 08221-20305 | SHIM, pinion | | AR | | T:0.1 |
| 15-2 | 08221-20304 | SHIM, pinion | | AR | | T:0.2 |
| 15-3 | 08221-20303 | SHIM, pinion | | AR | | T:0.5 |
| 16-1 | 57510-93103 | GEAR, forward (Oerlikon Type) | 1 | 1 | - | NT:23 |
| 16-2 | 57510-93104 | GEAR, forward (Gleason Type) | - | - | 1 | to 57510-93105 |
| 17-1 | 08211-17241 | THRUST WASHER | | AR | | T:1.0 |
| 17-2 | 08211-17242 | THRUST WASHER | | AR | | T:1.5 |
| 18-1 | 08221-17243 | SHIM | | AR | | T:0.1 |
| 18-2 | 08221-17244 | SHIM | | AR | | T:0.2 |
| 19-1 | 08221-25363 | SHIM | | AR | | T:0.1 |
| 19-2 | 08221-25364 | SHIM | | AR | | T:0.2 |
| 19-3 | 08221-25365 | SHIM | | AR | | T:0.5 |
| 20-1 | 57520-93101 | GEAR, reverse (Oerlikon Type) | 1 | 1 | - | NT:23 |
| 20-2 | 57520-93102 | GEAR, reverse (Gleason Type) | - | - | 1 | to 57520-93103 |
| 20-3 | 57520-93103 | GEAR, reverse (Gleason Type) | - | - | 1 | |

FIG. 22

E - 6

FIG. 22 TRANSMISSION

| Ref. No. | Part No. | Description | Q'ty | | | Remarks |
|----------|-------------|---------------------|------|---|---|----------------------------------|
| | | | C | D | F | |
| 21-1 | 08211-17281 | THRUST WASHER | AR | | | T:1.0 |
| 21-2 | 08211-17282 | THRUST WASHER | AR | | | T:1.5 |
| 22-1 | 08221-17283 | SHIM | AR | | | T:0.1 |
| 22-2 | 08221-17284 | SHIM | AR | | | T:0.2 |
| 22-3 | 08221-17286 | SHIM | AR | | | T:0.8 |
| 23 | 57611-93102 | SHAFT, propeller | 1 | 1 | 1 | BUSHING TYPE from 57611-93101 |
| 24-1 | 57611-93100 | SHAFT, propeller | 1 | 1 | 1 | DT9.9/DT14 E13 |
| 24-2 | 57611-93100 | SHAFT, propeller | 1 | - | - | SHEAR PIN TYPE |
| 24-3 | 57611-93100 | SHAFT, propeller | - | 1 | 1 | |
| 24-4 | 57611-93100 | SHAFT, propeller | - | - | 1 | E38 |
| 25 | 57621-96100 | SHIFTER, clutch dog | 1 | 1 | 1 | |
| 26 | 57631-93100 | ROD, push | 1 | 1 | 1 | |
| 27 | 57632-99000 | PIN, push | 1 | 1 | 1 | |
| 28 | 09440-07018 | SPRING, return | 1 | 1 | 1 | |
| 29 | 09209-04008 | PIN, dog shifting | 1 | 1 | 1 | OD:4,L:35.5 |

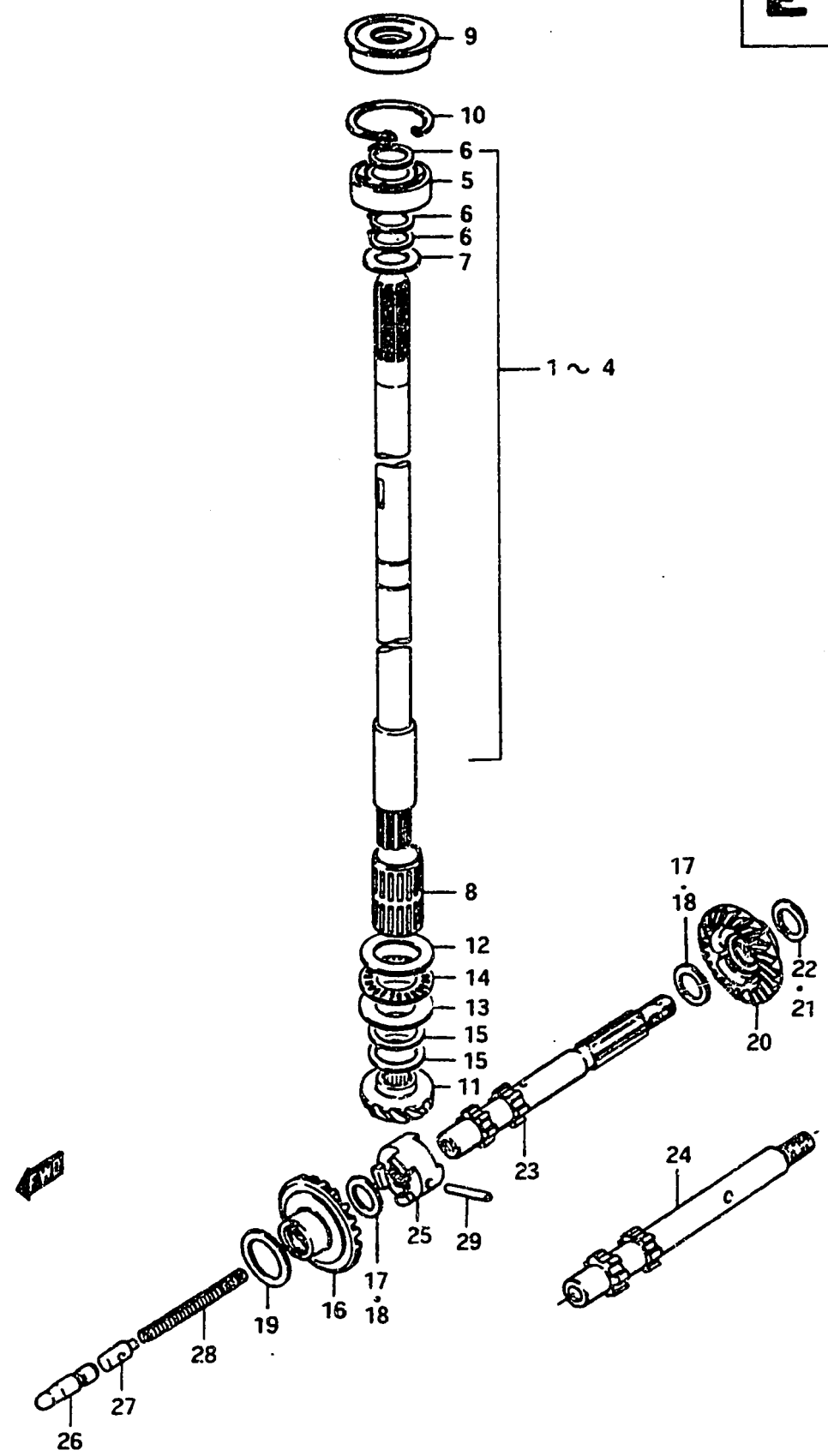
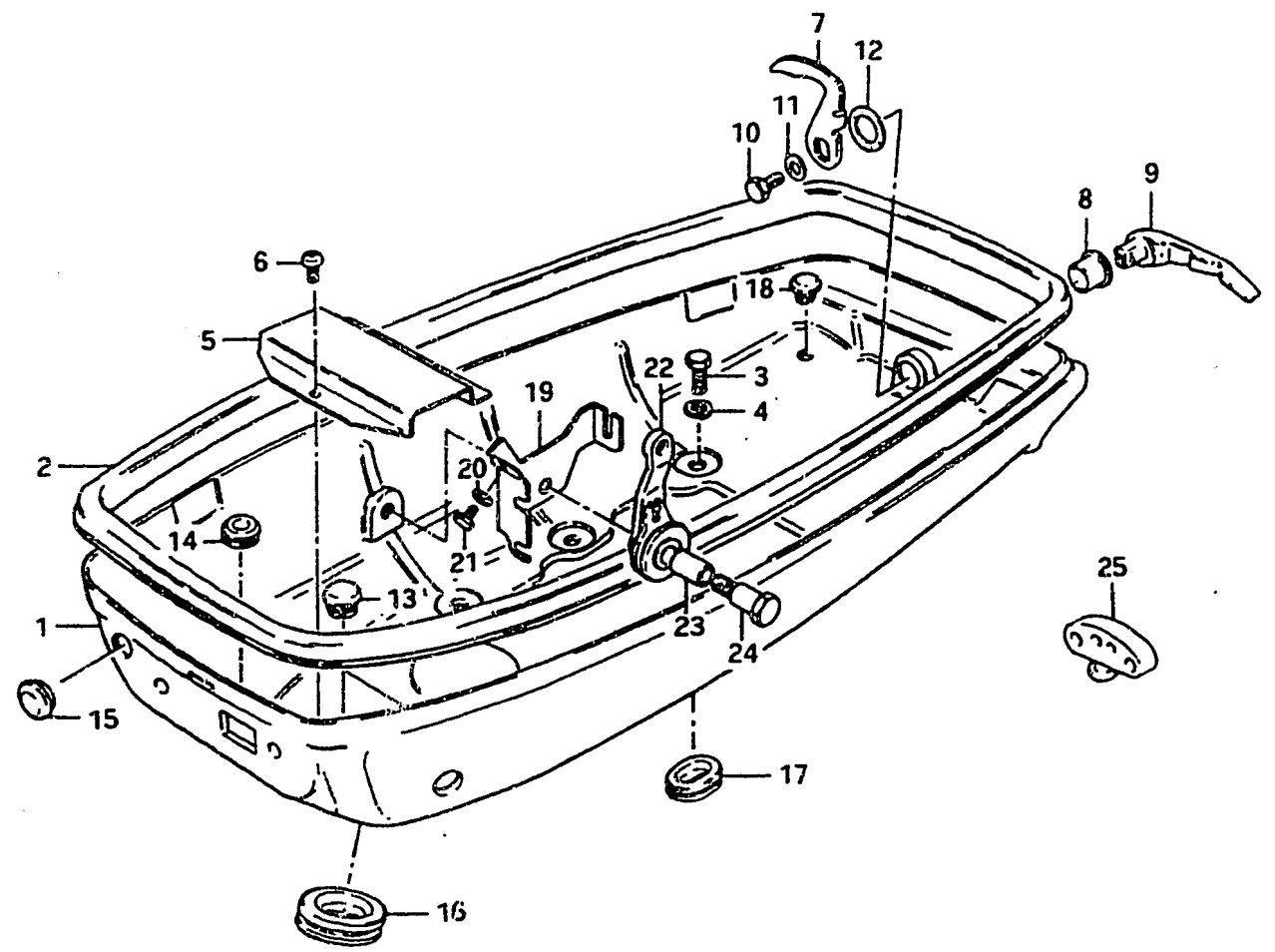


FIG. 23

E - 7

FIG. 23 LOWER COVER



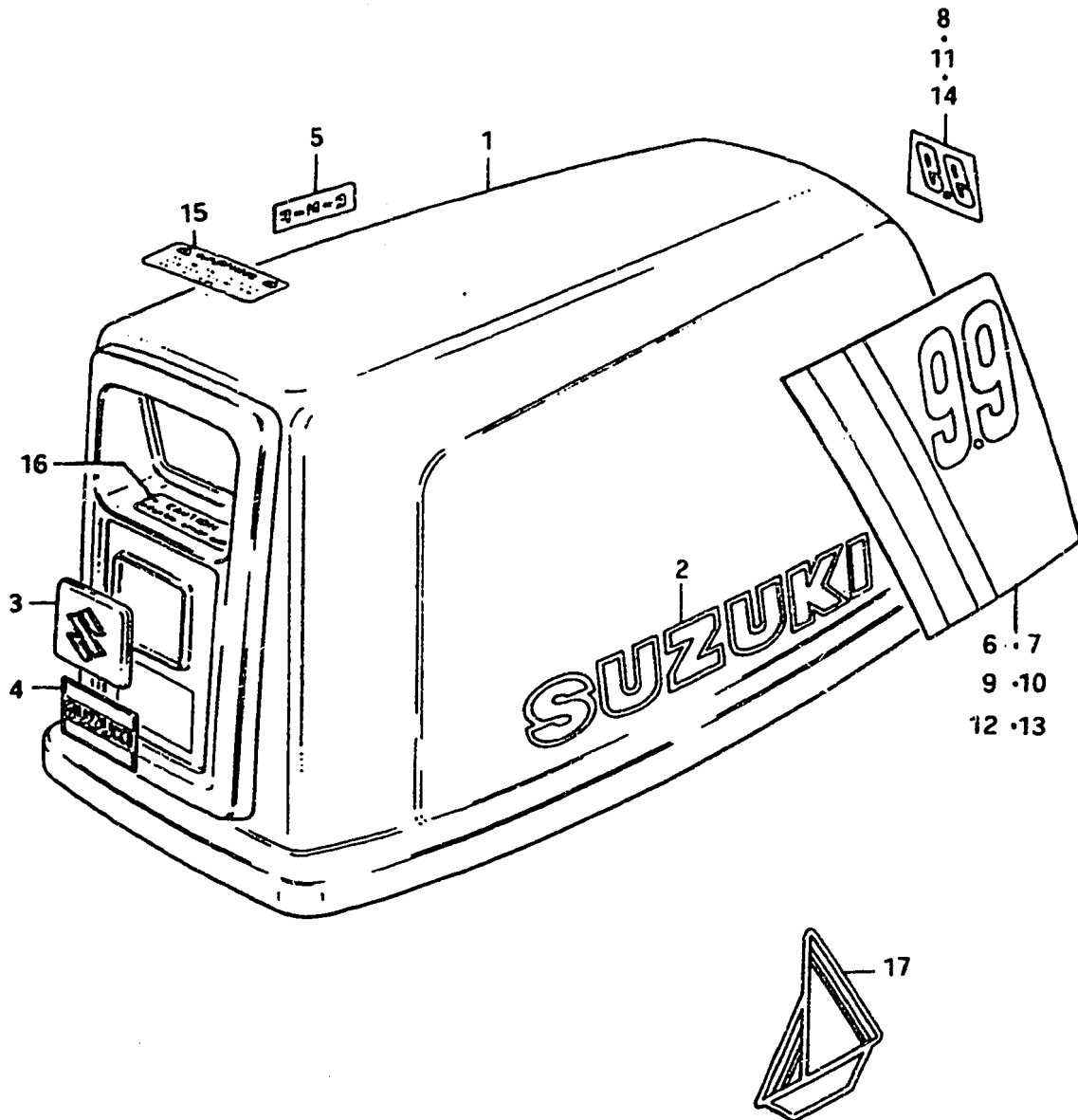
Q'ty

| Ref. No. | Part No. | Description | C | D | F | Remarks |
|----------|-----------------|-------------------------------|---|---|---|---|
| 1-1 | 61110-93102-01J | COVER, engine lower | 1 | - | - | to 61110-93103-01J |
| 1-2 | 61110-93103-01J | COVER, engine lower | - | 1 | - | ~DT9.9D-10351, ~DT14D-10186,~DT16D-10189 |
| 1-3 | 61110-93104-01J | COVER, engine lower | - | 1 | - | |
| 1-4 | 61110-93105-01J | COVER, engine lower | - | - | 1 | |
| 2 | 61112-93101 | RUBBER, seal | 1 | 1 | 1 | |
| 3 | 09100-06019 | BOLT, lower cover (6x16) | 6 | 6 | 6 | |
| 4 | 09162-06001 | LOCK WASHER, lower cover | 6 | 6 | 6 | |
| 5 | 61121-93100-01J | COVER, air inlet | 1 | - | - | |
| 6 | 02112-05088 | SCREW | 3 | - | - | |
| 7 | 61631-96002 | HOOK, lower cover | 1 | 1 | 1 | |
| 8 | 09306-13002 | BUSHING, hook lever | 1 | 1 | 1 | |
| 9-1 | 61633-96001-01J | LEVER, hook | 1 | 1 | - | to 61633-96002-01J |
| 9-2 | 61633-96002-01J | LEVER, hook | - | 1 | 1 | |
| 10 | 01107-06108 | BOLT | 1 | 1 | 1 | |
| 11 | 08322-21068 | WASHER | 1 | 1 | 1 | |
| 12 | 09164-13001 | WAVE WASHER | 1 | 1 | 1 | |
| 13 | 09250-11003 | CAP, lower cover | - | 1 | - | |
| 14 | 09308-05015 | GROMMET, lower cover | - | 1 | 1 | |
| 15 | 09250-16006 | GROMMET, remote control cable | - | - | 1 | |
| 16 | 36656-93300 | GROMMET, throttle cable | - | - | 1 | |
| 17 | 09308-12007 | GROMMET, inter lock rod | - | - | 1 | |
| 18 | 09250-08003 | CAP, shear pin holder | - | - | 1 | |
| 19 | 19174-93100 | BRACKET, throttle cable | - | - | 1 | |
| 20 | 09140-06004 | NUT | - | - | 1 | |
| 21 | 09100-06047 | BOLT (6x25) | - | - | 1 | |
| 22 | 19171-93100-01J | LEVER, throttle | - | - | 1 | |
| 23 | 09306-12004 | BUSH, lever (12x14x19) | - | - | 1 | |
| 24 | 19173-93100 | BOLT, throttle lever | - | - | 1 | |
| 25-1 | 61521-96000 | HOLDER, shear pin | 1 | 1 | 1 | DT9.9/DT14 E13 |
| 25-2 | 61521-96000 | HOLDER, shear pin | - | 1 | 1 | DT16 E13 |
| 25-3 | 61521-96000 | HOLDER, shear pin | - | - | 1 | E38 |

FIG. 24

E - 8

FIG.24 ENGINE COVER

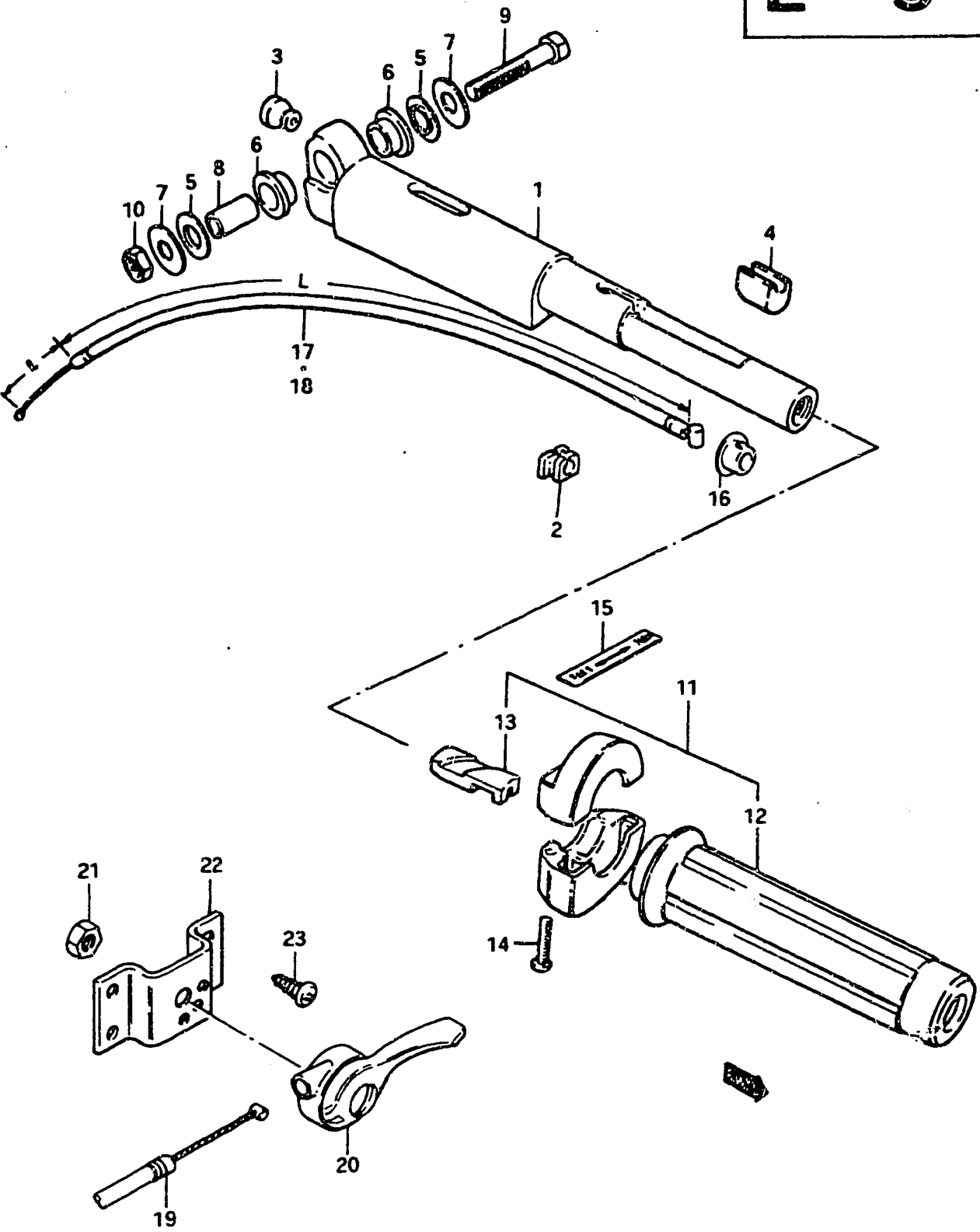


| Ref. No. | Part No. | Description | Q'ty | | | Remarks |
|----------|-----------------|-------------------------------|------|---|---|------------------------------|
| | | | C | D | F | |
| 1-1 | 61400-93850-01T | COVER SET, engine | 1 | 1 | 1 | to 61400-93851-01T |
| 1-2 | 61400-93851-01T | COVER SET, engine | - | - | 1 | to 61400-93852-01T |
| 2 | 61441-93101 | •EMBLEM, cover side | 2 | 2 | 2 | to 61441-93500 |
| 3 | 61424-93100 | •EMBLEM, front | 1 | 1 | 1 | |
| 4 | 61422-93300 | •EMBLEM, front | 1 | 1 | 1 | |
| 5-1 | 21131-96000 | •MARK, clutch shift (English) | 1 | 1 | - | ~DT9.9D-10351 |
| 5-2 | 21131-96001 | •MARK, clutch shift | - | 1 | 1 | (English+French) |
| 6 | 61443-93630 | EMBLEM, cover RH | 1 | 1 | 1 | |
| 7 | 61453-93630 | EMBLEM, cover LH (DT9.9) | 1 | 1 | 1 | |
| 8 | 61435-93630 | EMBLEM, rear "9.9" | 1 | 1 | 1 | |
| 9 | 61443-93200 | EMBLEM, cover RH | 1 | 1 | 1 | |
| 10 | 61453-93200 | EMBLEM, cover LH (DT14) | 1 | 1 | 1 | |
| 11 | 61435-93201 | MARK, emblem rear | 1 | 1 | 1 | |
| 12 | 61443-93101 | EMBLEM, cover RH | 1 | 1 | 1 | |
| 13 | 61453-93101 | EMBLEM, cover LH (DT16) | 1 | 1 | 1 | |
| 14 | 61435-93101 | MARK, emblem rear | 1 | 1 | 1 | |
| 15-1 | 61457-93000 | MARK, warning | 1 | 1 | - | ~DT9.9D-10351 to 61457-93001 |
| 15-2 | 61457-93001 | MARK, warning | - | 1 | 1 | |
| 16 | 61459-93301 | MARK, neutral caution | - | 1 | 1 | DT9.9E3, DT9.9YE3, DT16E3 |
| 17-1 | 61515-93280 | MARK, sail boat | - | 2 | 2 | DT9.9E3 |
| 17-2 | 61515-93280 | MARK, sail boat | - | - | 2 | DT9.9YE3 |

FIG. 25

E - 9

FIG. 25 HANDLE - GRIP (model C, D)

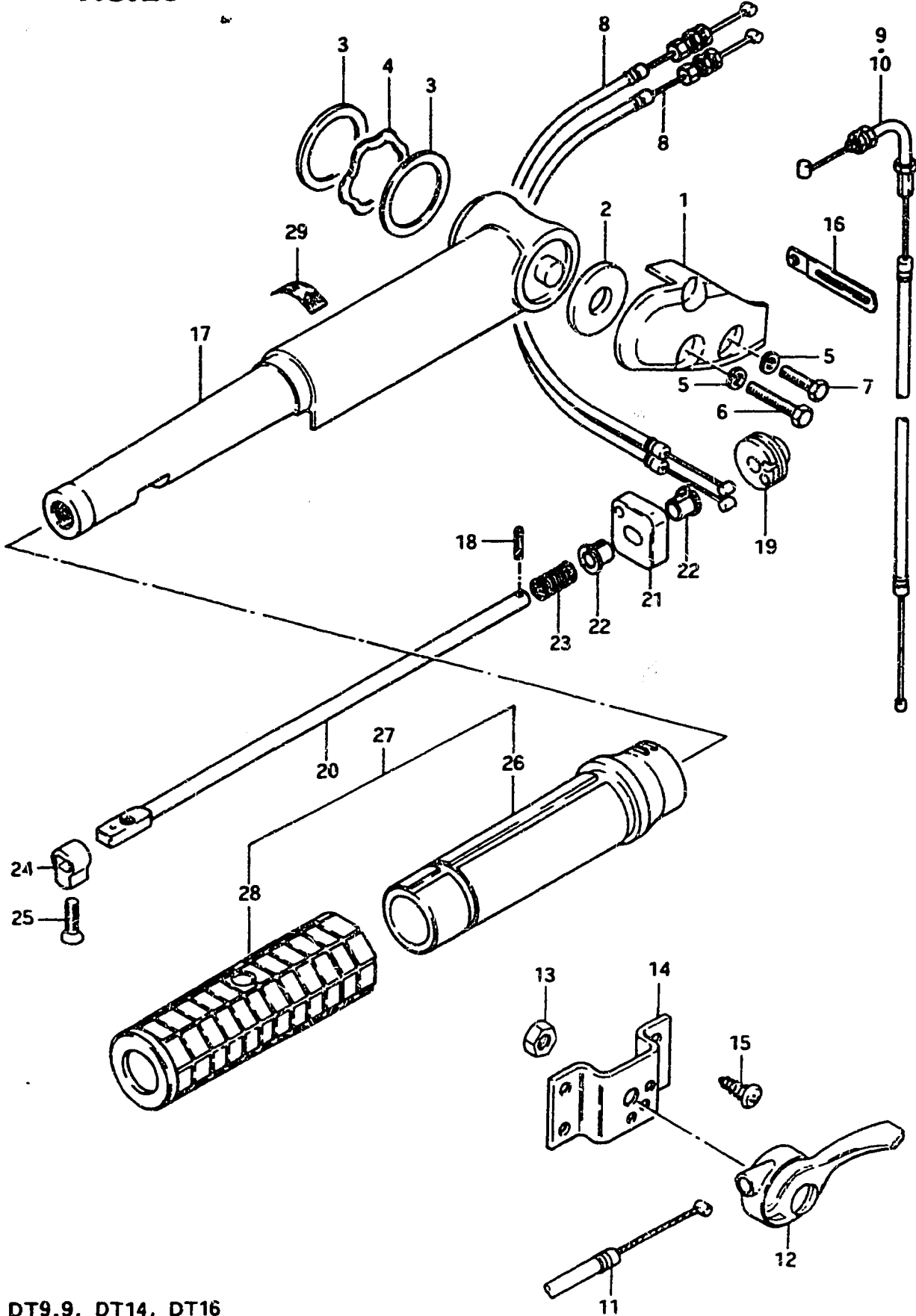


| Ref. No. | Part No. | Description | Q'ty | | Remarks |
|----------|-----------------|-------------------------------------|------|---|------------------|
| | | | C | D | |
| 1 | 63111-93102-01J | HANDLE, tiller | 1 | 1 | |
| 2 | 63112-93103 | GROMMET, cable support | 1 | 1 | |
| 3 | 09321-07001 | CUSHION, handle | 1 | 1 | |
| 4 | 63331-93100 | FRICTION, handle | 1 | 1 | to 63331-93101 |
| 5 | 63321-99000 | SEAT, handle rubber | 2 | 2 | |
| 6 | 09305-12007 | BUSHING, handle cushion | 2 | 2 | |
| 7 | 09160-10041 | WASHER, handle pivot | 2 | 2 | 10.3x25x1.6 |
| 8 | 09303-10001 | SPACER, handle pivot | 1 | 1 | 10.5x12.5x24 |
| 9 | 09100-10091 | BOLT, handle pivot | 1 | 1 | 10x55 |
| 10 | 09140-10017 | NUT, handle | 1 | 1 | |
| 11 | 63200-93101 | GRIP ASSY, throttle | 1 | 1 | to 63200-93102 |
| 12 | 63210-93101 | -GRIP, throttle | 1 | 1 | to 63210-93102 |
| 13 | 63214-93100 | -PIECE, sliding | 1 | 1 | |
| 14 | 63218-93100 | -SCREW, cover | 2 | 2 | |
| 15-1 | 63215-93100 | MARK, handle grip (English) | 1 | 1 | ~DT9.9D-10351 |
| 15-2 | 63215-93101 | MARK, handle grip | - | 1 | (English+French) |
| 16 | 09306-08008 | GROMMET, throttle cable | 1 | 1 | |
| 17 | 63610-96200 | CABLE ASSY, throttle (DT9.9) | 1 | 1 | L:420, d:53.5 |
| 18 | 63610-93100 | CABLE ASSY, throttle (DT14,DT16) | 1 | 1 | L:420, d:53.5 |
| 19 | 63610-93280 | CABLE ASSY, throttle | - | 1 | L:1500, d:110 |
| 20 | 63400-99011 | LEVER ASSY, throttle | - | 1 | |
| 21 | 09140-06004 | NUT | - | 1 | OPT (DT9,9YD) |
| 22 | 63621-93280 | BRACKET, throttle lever | - | 1 | |
| 23 | 03112-05209 | SCREW | - | 4 | |

FIG.26

E - 10

FIG.26 HANDLE - GRIP (model F)

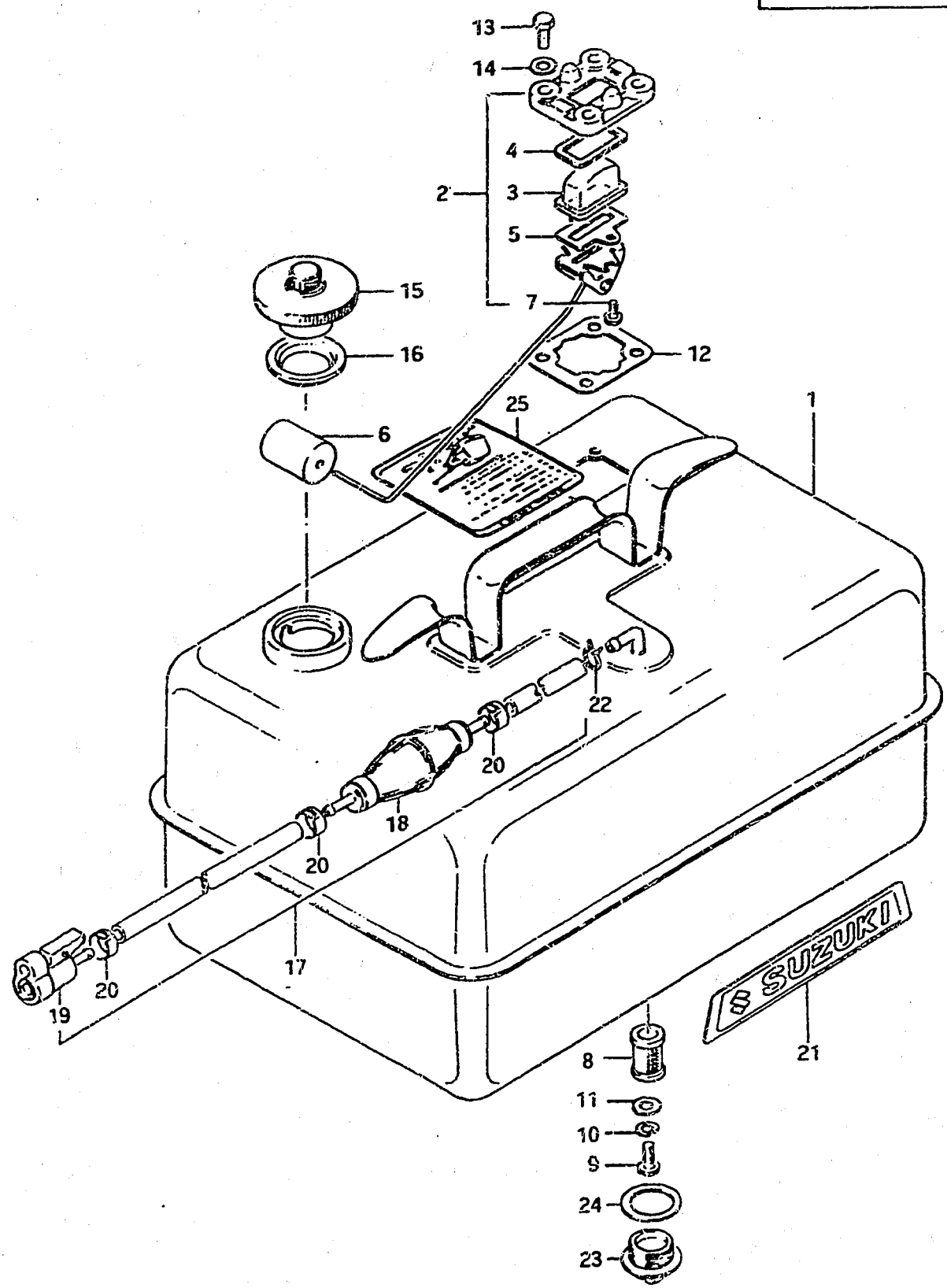


Q'ty

| Ref. No. | Part No. | Description | F | Remarks |
|----------|-----------------|------------------------------------|---|--|
| 1 | 63113-93100-01J | COVER, tiller handle | 1 | |
| 2 | 63114-93200 | SPACER (14x31x3.5) | 1 | |
| 3 | 09160-32004 | WASHER (32.5x42x0.5) | 2 | |
| 4 | 09164-32001 | WAVE WASHER | 1 | |
| 5 | 09162-06001 | LOCK WASHER | 3 | |
| 6 | 09100-06049 | BOLT (6x30) | 2 | |
| 7 | 09100-06020 | BOLT (6x20) | 1 | |
| 8 | 63620-93100 | CABLE ASSY, throttle (grip→lever) | 2 | |
| 9 | 63630-93200 | CABLE ASSY, throttle (lever→carbu) | 1 | DT9.9 |
| 10 | 63630-93100 | CABLE ASSY, throttle (lever→carbu) | 1 | DT14,DT16 |
| 11 | 63610-93281 | CABLE ASSY, throttle | 1 | L:1500,ℓ:143 OPT (DT9.9YF, DT9.9YFE3) |
| 12 | 63400-99011 | LEVER ASSY, throttle | 1 | |
| 13 | 09140-06004 | NUT | 1 | |
| 14 | 63621-93280 | BRACKET, throttle lever | 1 | |
| 15 | 03112-05209 | SCREW | 4 | |
| 16 | 09404-06402 | CLAMP, throttle cable (L:60) | 1 | to 09404-06412 |
| 17-1 | 63111-93200-01J | HANDLE, tiller | 1 | to 63111-93201-01J |
| 17-2 | 63111-93202-01J | HANDLE, tiller | 1 | from 63111-93201-01J to 63111-93203-01J |
| 18 | 63227-93200 | PIN, handle rod | 2 | |
| 19 | 63222-93200 | DRUM, handle rod | 1 | |
| 20 | 63221-93200 | ROD, handle | 1 | |
| 21-1 | 63224-93200 | PROTECTOR, stop switch wire | 1 | to 63224-93201 |
| 21-2 | 63224-93202 | PROTECTOR, stop switch wire | 1 | from 63224-93201 |
| 22 | 63225-93200 | BUSH | 2 | |
| 23 | 63226-93200 | SPRING | 1 | |
| 24 | 63223-93200 | STOPPER | 1 | |
| 25 | 09126-06004 | SCREW (6x20) | 1 | |
| 26 | 63211-93200 | GRIP, handle | 1 | to 63210-93200 |
| 27 | 63210-93200 | GRIP, handle | 1 | |
| 28 | 63212-93200 | RUBBER, handle grip | 1 | -63210-93200 |
| 29 | 63215-93101 | MARK, handle grip | 1 | |

FIG.55

K - 2



1

FIG.55 FUEL TANK 1

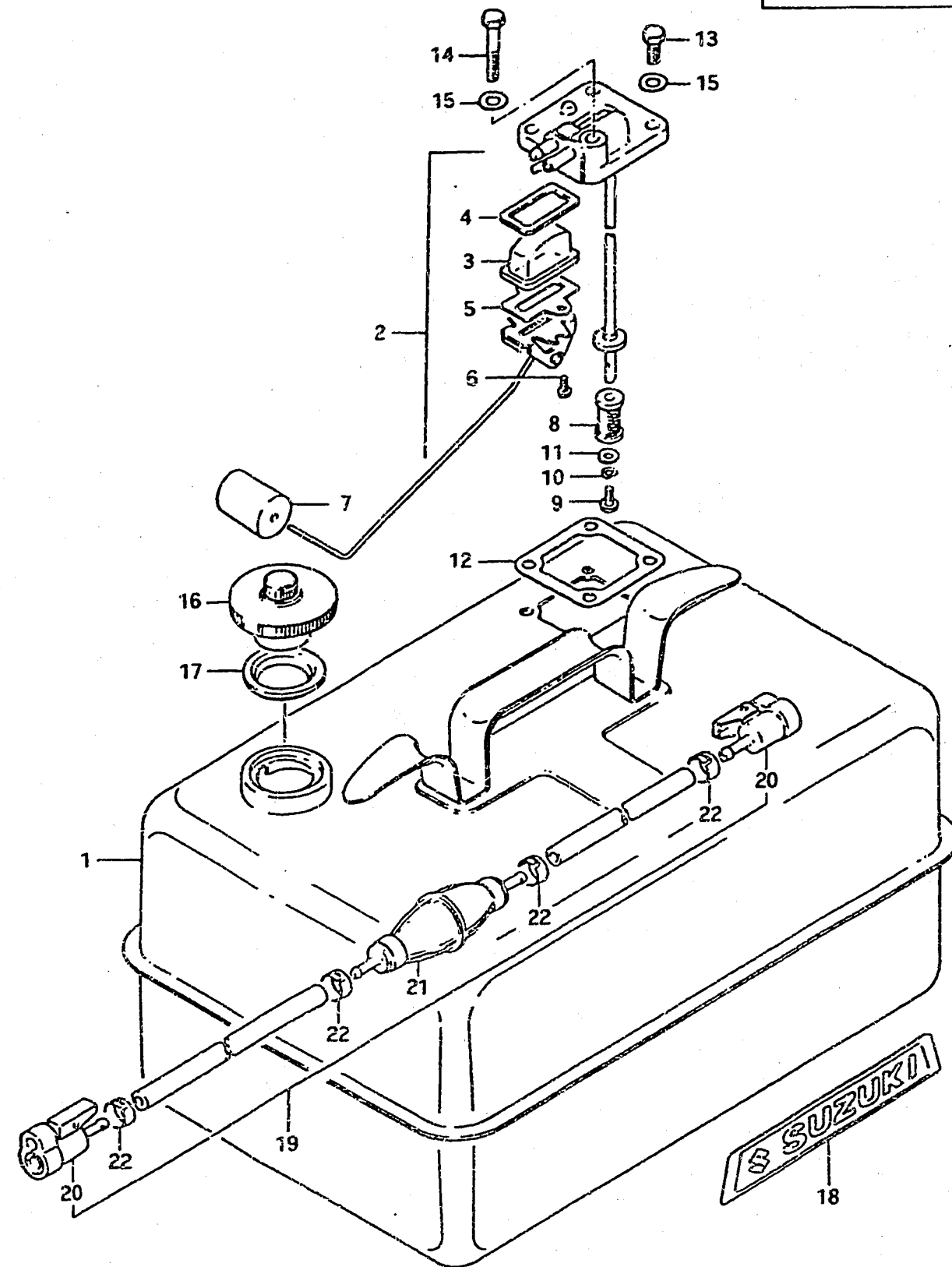
| Ref. No. | Part No. | Description | Q'ty | | Remarks |
|----------|-------------|---|------|---|---------------------------------------|
| | | | C | D | |
| 1-1 | 65800-93814 | TANK ASSY, fuel to 65800-93816 | 1 | - | 23ℓ (6 U.S. GAL.) (5 IMP. GAL.) |
| 1-2 | 65800-93816 | TANK ASSY, fuel to (65800-93830)+(65750-99700) | - | 1 | 23ℓ (6 U.S. GAL.) (5 IMP. GAL.) |
| 2 | 65850-93000 | •GAUGE, fuel | 1 | 1 | |
| 3-1 | 65853-93000 | ••STRAINER (to 65853-93001) | 1 | - | |
| 3-2 | 65853-93001 | ••STRAINER | - | 1 | |
| 4 | 65854-93000 | ••GASKET, strainer | 1 | 1 | to 65854-93001 |
| 5 | 65862-93000 | ••GASKET, float arm holder | 1 | 1 | |
| 6 | 65864-93000 | ••FLOAT | 1 | 1 | |
| 7 | 02112-04108 | ••SCREW | 2 | 2 | |
| 8 | 65830-93300 | •FILTER (to 65830-93301) | 1 | 1 | |
| 9 | 02112-05088 | •SCREW | 1 | 1 | |
| 10 | 08321-21058 | •LOCK WASHER | 1 | 1 | |
| 11 | 08322-21058 | •WASHER | 1 | 1 | DT9.9C,DT9.9D |
| 12 | 65871-93000 | •GASKET, fuel gauge | 1 | 1 | DT14C,DT14D |
| 13 | 01107-06168 | •BOLT | 4 | 4 | DT16C,DT16D |
| 14 | 08322-21068 | •WASHER | 4 | 4 | DT20C,DT20D |
| 15 | 65510-96000 | •CAP, fuel tank | 1 | 1 | DT25C,DT25D |
| 16 | 44248-12000 | •GASKET, tank cap | 1 | 1 | |
| 17 | 65700-99702 | •HOSE ASSY, fuel to 65700-99704 | 1 | 1 | |
| 18 | 65770-99700 | ••PUMP, squeeze to 65770-99701 | 1 | 1 | |
| 19 | 65750-99700 | ••SOCKET, fuel hose | 1 | 1 | |
| 20 | 09401-13402 | ••CLIP | 3 | 3 | |
| 21 | 65312-99701 | •EMBLEM, fuel tank to 61441-98400 | 2 | 2 | |
| 22 | 09401-11402 | •CLIP | 1 | 1 | |
| 23 | 09247-25001 | •PLUG, fuel drain | 1 | 1 | |
| 24 | 09168-25002 | •GASKET, drain plug | 1 | 1 | 25x36x1 |
| 25-1 | 61511-93601 | MARK, starter indicator to 61511-93602 | 1 | - | |
| 25-2 | 61511-93602 | MARK, starter indicator | - | 1 | |

FIG.56 (K-3) : (C, D)E13, CE37
 FIG.57 (K-4) : DE3
 FIG.58 (K-5) : model F

FIG.56

K - 3

FIG.56 FUEL TANK 2



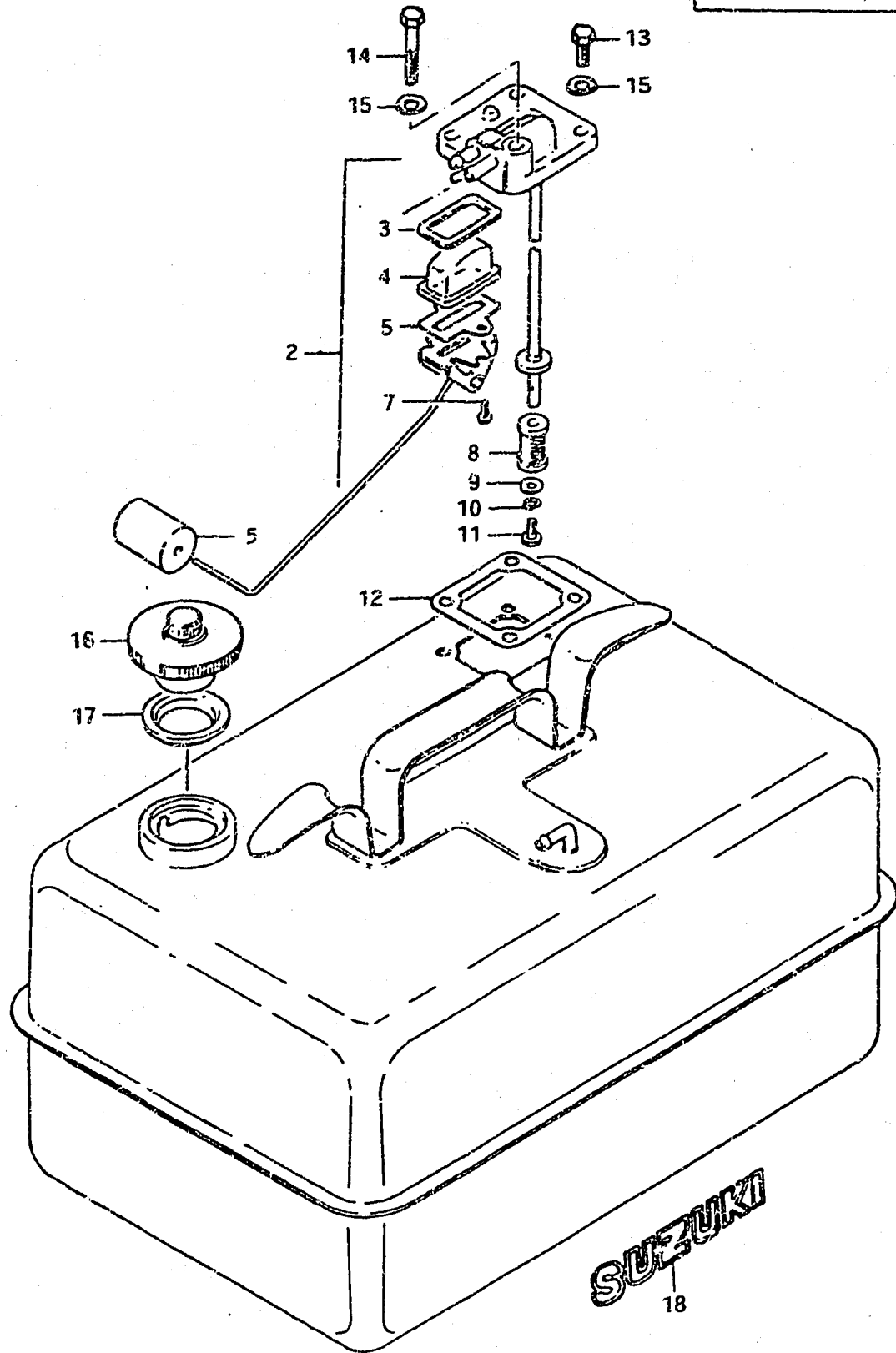
| Ref. No. | Part No. | Description | Qty | | Remarks |
|----------|-------------|--|-----|---|------------------------------------|
| | | | C | D | |
| 1-1 | 65800-93815 | TANK ASSY, separate fuel (to 65800-93817) | 1 | - | 23ℓ (6 U.S. GAL.) (5 IMP. GAL.) |
| 1-2 | 65800-93817 | TANK ASSY, separate fuel to (65800-93841)+(65700-99703) | - | 1 | 23ℓ (6 U.S. GAL.) (5 IMP. GAL.) |
| 2 | 65850-93002 | •GAUGE ASSY, fuel | 1 | 1 | |
| 3-1 | 65853-93000 | ••STRAINER (to 65853-93001) | 1 | 1 | |
| 3-2 | 65853-93001 | ••STRAINER | 1 | 1 | |
| 4 | 65854-93000 | ••GASKET, strainer | 1 | 1 | to 65854-93001 |
| 5 | 65862-93000 | ••GASKET, float arm holder | 1 | 1 | |
| 6 | 02112-04108 | ••SCREW | 2 | 2 | |
| 7 | 65864-93000 | ••FLOAT | 1 | 1 | |
| 8 | 65830-93300 | •FILTER (to 65830-93301) | 1 | 1 | DT9.9(C,D)E13 |
| 9 | 02112-05088 | •SCREW | 1 | 1 | DT14(C,D)E13 |
| 10 | 08321-21058 | •LOCK WASHER | 1 | 1 | DT16 D E13 |
| 11 | 08322-21058 | •WASHER | 1 | 1 | DT16 C E37 |
| 12 | 65871-93001 | •GASKET, fuel gauge | 1 | 1 | DT20(C,D)E13 |
| 13 | 01107-06168 | •BOLT | 3 | 3 | DT25(C,D)E13 |
| 14 | 01107-06408 | •BOLT | 1 | 1 | DT25 C E37 |
| 15 | 08322-21068 | •WASHER | 4 | 4 | |
| 16 | 65510-96000 | •CAP, fuel tank | 1 | 1 | |
| 17 | 44248-12000 | •GASKET, fuel tank cap | 1 | 1 | |
| 18 | 65312-99701 | •EMBLEM, fuel tank (to 61441-98400) | 2 | 2 | |
| 19 | 65700-99703 | •HOSE ASSY, fuel (to 65700-99705) | 1 | 1 | |
| 20 | 65750-99700 | ••SOCKET, fuel hose | 2 | 2 | |
| 21 | 65770-99700 | ••PUMP, squeeze (to 65770-99701) | 1 | 1 | |
| 22 | 09401-13402 | ••CLAMP | 4 | 4 | |

FIG.55 (K-2) : model C, D
 FIG.57 (K-4) : DE3
 FIG.58 (K-5) : model F

FIG. 57

K - 4

FIG. 57 FUEL TANK 3



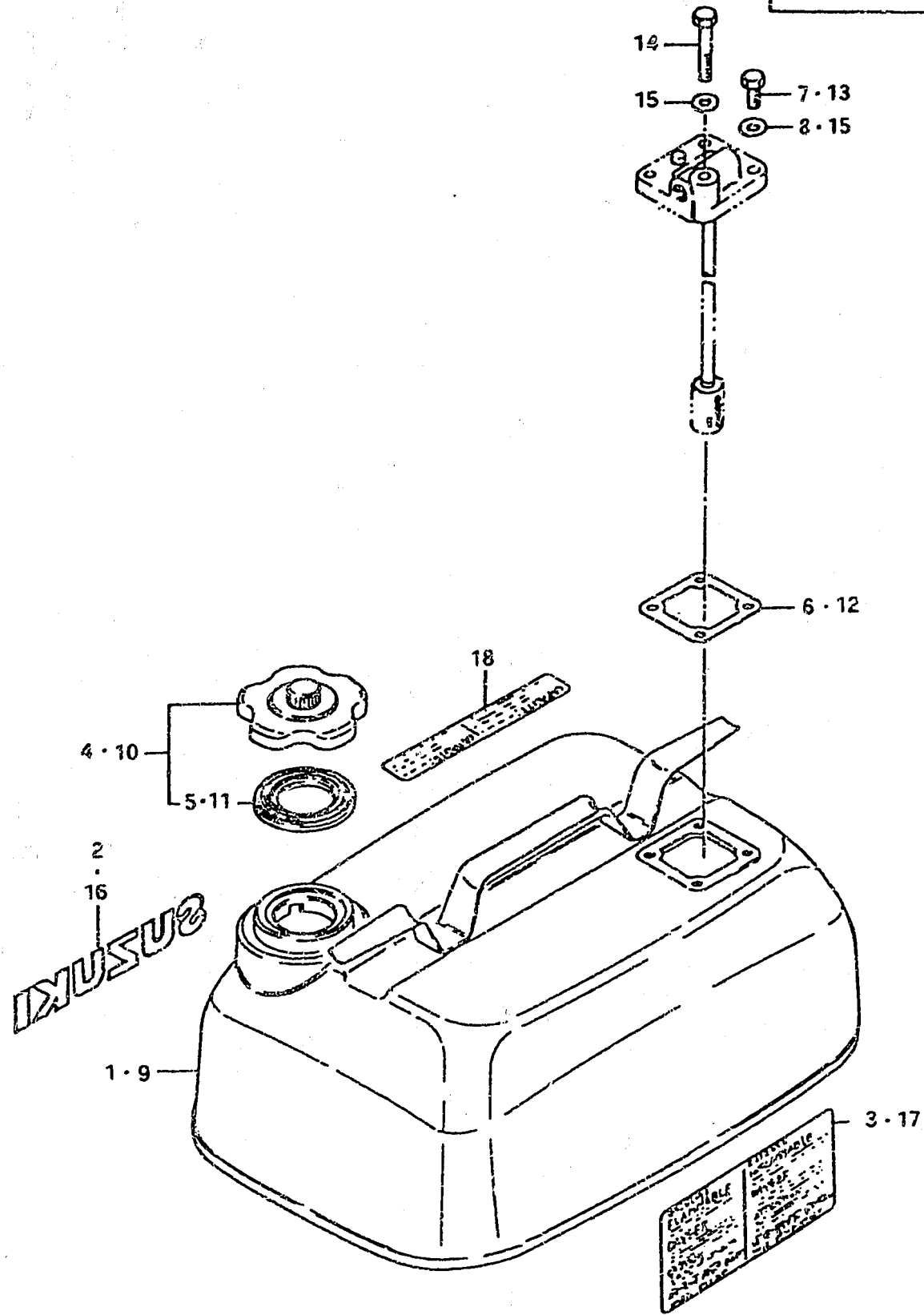
| Ref. No. | Part No. | Description | Q'ty | Remarks |
|----------|-------------|--|------|---|
| 1 | 65800-93841 | TANK SET, fuel separate 23ℓ (6 U.S. GAL.) (5 IMP. GAL.) | 1 | to 65800-95812 |
| 2 | 65850-93002 | •GAUGE ASSY, fuel | 1 | |
| 3 | 65854-93000 | ••GASKET, fuel gauge strainer (to 65854-93001) | 1 | |
| 4 | 65853-93001 | ••STRAINER, fuel gauge | 1 | |
| 5 | 65862-93000 | ••GASKET | 1 | |
| 6 | 65864-93000 | ••FLOAT | 1 | |
| 7 | 02112-04108 | ••SCREW | 2 | |
| 8 | 65830-93301 | ••FILTER | 1 | DT9.9D E3 DT16D E3 DT20D E3 DT25D E3 |
| 9 | 08322-21058 | ••WASHER | 1 | |
| 10 | 08321-21058 | ••LOCK WASHER | 1 | |
| 11 | 02112-05088 | ••SCREW | 1 | |
| 12 | 65871-93001 | •GASKET, fuel gauge | 1 | |
| 13 | 01107-06168 | •BOLT | 3 | |
| 14 | 01107-06408 | •BOLT | 1 | |
| 15 | 08322-21068 | •WASHER | 4 | |
| 16 | 65510-96000 | •CAP, fuel tank | 1 | |
| 17 | 44248-12000 | •GASKET, fuel tank cap | 1 | |
| 18 | 61441-98400 | •EMBLEM, fuel tank (to 61441-98500) | 2 | |

FIG. 55 (K-2) : model C, D
 FIG. 56 (K-3) : (C, D)E13, CE37
 FIG. 58 (K-5) : model F

FIG. 58

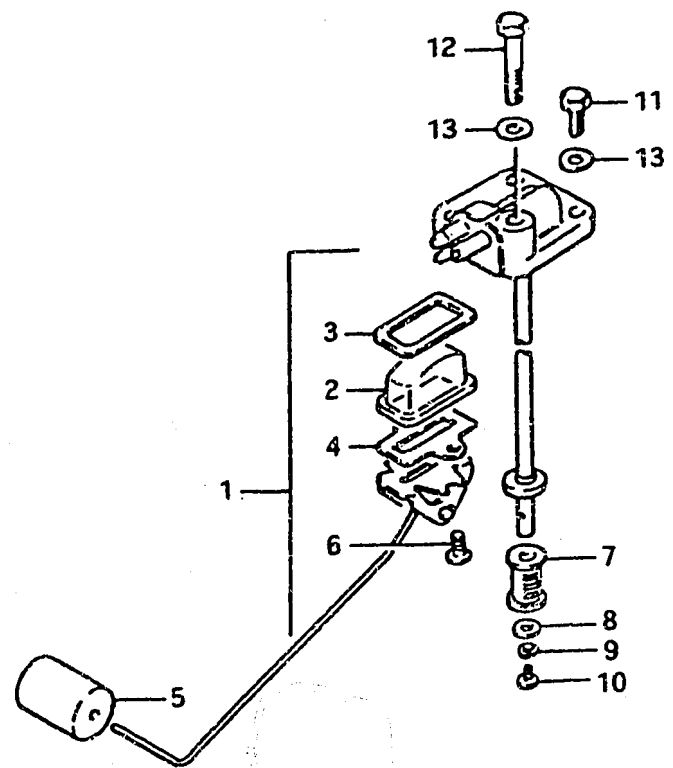
K - 5

FIG. 58 FUEL TANK 4



| Ref. No. | Part No. | Description | Q'ty | 9.9-28 | Remarks |
|----------|-------------|---|------|--------|--------------------------|
| 1 | 65800-95810 | TANK SET, fuel (23ℓ) to (65800-95811)+(61441-98500)+(65316-93301) (6 U.S. GAL.) (5 IMP. GAL.) | 1 | | |
| 2 | 61441-98500 | •MARK, ornament | 1 | | |
| 3 | 65316-93301 | •MARK, fuel caution | 1 | | to 65316-93302 |
| 4 | 65510-98500 | •CAP ASSY, tank to 65510-98501 | 1 | | DT9.9F |
| 5 | 65561-98501 | •GASKET, tank cap | 1 | | DT14F |
| 6 | 65871-93001 | •GASKET, fuel gauge | 1 | | DT16F |
| 7 | 01107-06168 | •BOLT | 4 | | |
| 8 | 08322-21068 | •WASHER | 4 | | |
| 9 | 65800-95811 | TANK SET, fuel (23ℓ) (6 U.S. GAL.) (5 IMP. GAL.) | 1 | | to 65800-95812 |
| 10 | 65510-98500 | •CAP ASSY, tank | 1 | | to 65510-98501 |
| 11 | 65561-98501 | •GASKET, tank cap | 1 | | |
| 12 | 65871-93001 | •GASKET, fuel gauge | 1 | | DT20F |
| 13 | 01107-06168 | •BOLT | 3 | | DT25F |
| 14 | 01107-06408 | •BOLT | 1 | | DT28F |
| 15 | 08322-21068 | •WASHER | 4 | | |
| 16 | 61441-98500 | MARK, ornament | 1 | | |
| 17 | 65316-93301 | MARK, fuel caution | 1 | | to 65316-93302 |
| 18 | 65317-95200 | MARK, fuel capacity | 1 | | DT9.9F DT14F DT16F |

FIG. 55 (K-2) : model C, D
 FIG. 56 (K-3) : (C, D)E13, CE37
 FIG. 57 (K-4) : DE3



| Ref. No. | Part No. | Description | Q'ty | Remarks |
|----------|-------------|---------------------------|------|--|
| 1-1 | 65850-95200 | GAUGE ASSY, fuel | 1 | to 65850-95201 |
| 1-2 | 65850-95201 | GAUGE ASSY, fuel (S mark) | 1 | |
| 2 | 65853-93001 | •STRAINER | 1 | |
| 3 | 65854-93000 | •GASKET | 1 | to 65854-93001 |
| 4 | 65852-93000 | •GASKET | 1 | |
| 5 | 65864-93000 | •FLOAT | 1 | DT9.9F(E3,E13,E38) DT9.9YF(E3) DT14F(E13,E38) DT16F(E3,E13,E38) DT20F DT25F,DT28F |
| 6 | 02112-04108 | •SCREW | 2 | |
| 7 | 65830-93301 | •FILTER | 1 | |
| 8 | 08322-21058 | •WASHER | 1 | |
| 9 | 08321-21058 | •LOCK WASHER | 1 | |
| 10 | 02112-05088 | •SCREW | 1 | |
| 11 | 01107-06168 | BOLT | 3 | |
| 12 | 01107-06403 | BOLT | 1 | |
| 13 | 08322-21068 | WASHER | 4 | |

FIG.60 (K-7) : OUTLET ASSY, fuel

FIG.60

K - 7

FIG.60 FUEL TANK OUTLET

| Ref. No. | Part No. | Description | Qty 9.9-16 | Remarks |
|----------|-------------|-------------------|---------------|----------------------------|
| 1 | 65880-95200 | OUTLET ASSY, tank | 1 | { DT9.9F DT14F DT16F |
| 2 | 65830-93301 | ·FILTER | 1 | |
| 3 | 08322-21058 | ·WASHER | 1 | |
| 4 | 08321-21058 | ·LOCK WASHER | 1 | |
| 5 | 02112-05088 | ·SCREW | 1 | |

FIG.59 (K-6) : GAUGE ASSY, fuel

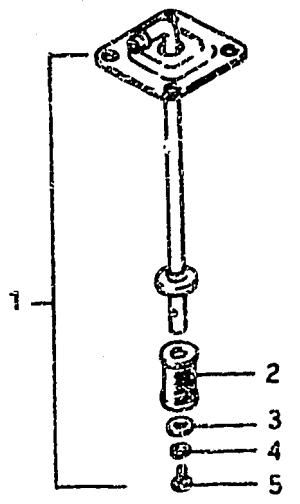


FIG.61

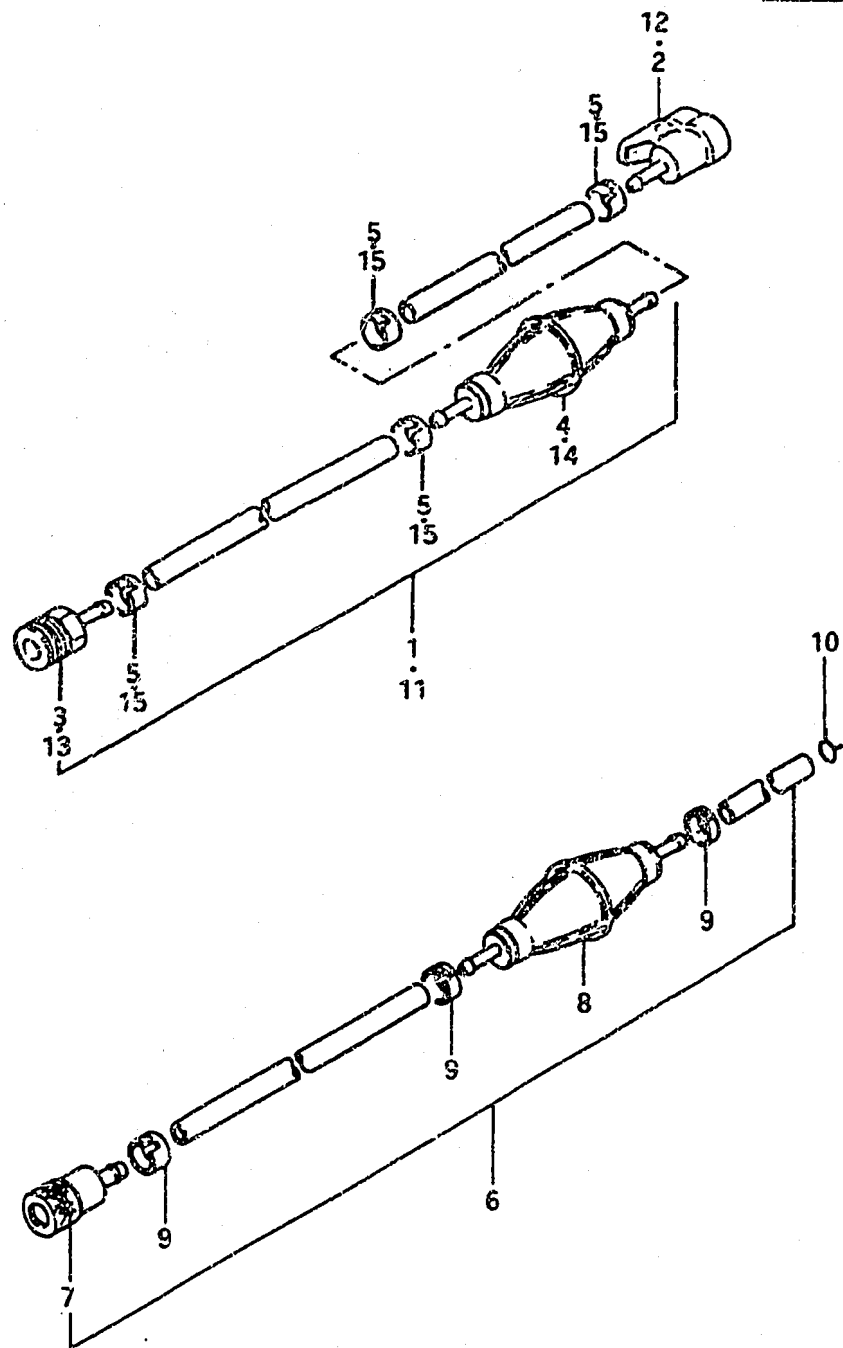
K - 8

FIG.61 FUEL HOSE

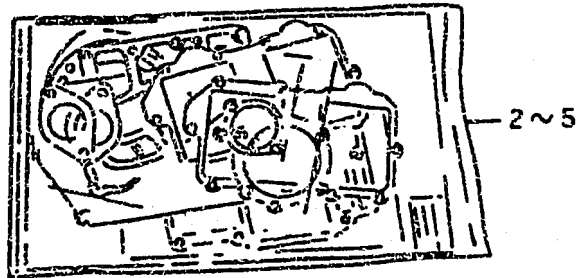
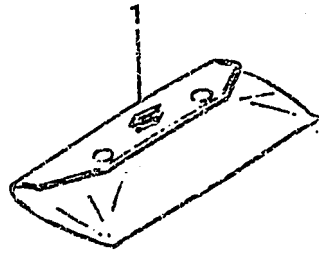
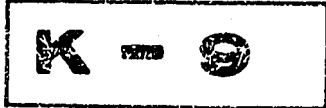
Q'ty

9.9~28

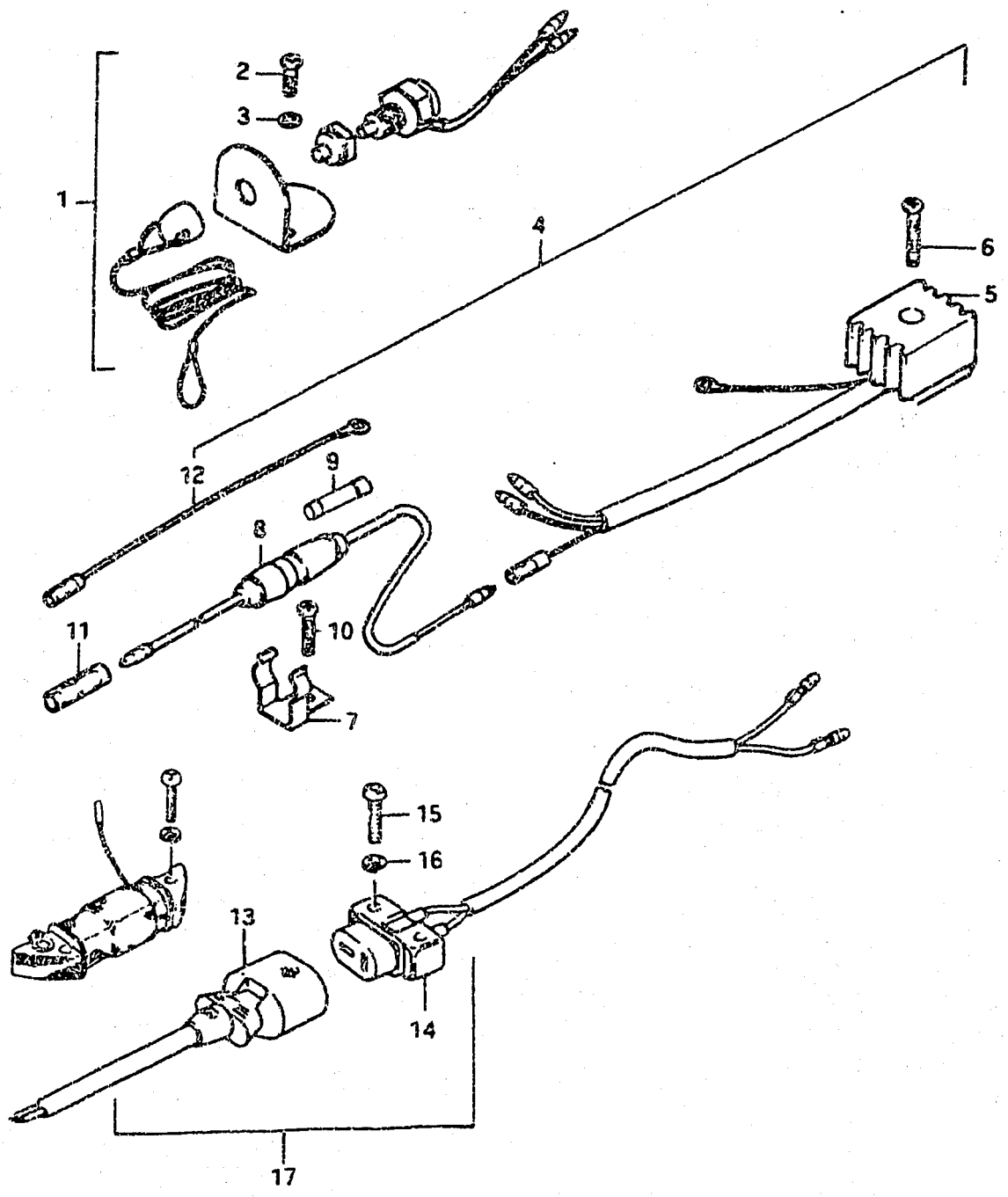
Remarks



| Ref. No. | Part No. | Description | Q'ty | Remarks |
|----------|-------------|--|------|---|
| 1 | 65700-98510 | HOSE, fuel (to 65700-98511) | 1 | DT9.9D E3 |
| 2 | 65750-99700 | •SOCKET, fuel hose | 1 | DT9.9YF E3 |
| 3 | 65750-98500 | •SOCKET, fuel hose (to 65750-98501) | 1 | DT9.9F(E3, E13, E38) |
| 4 | 65770-99700 | •PUMP, squeeze (to 65770-99701) | 1 | DT14F(E13, E38) |
| 5 | 09401-13402 | •CLIP | 4 | DT16D E3 DT16F(E3, E13, E38) DT20D E3 DT25D E3 |
| 6 | 65700-98500 | HOSE, fuel (to 65700-98501) | 1 | |
| 7 | 65750-98500 | •SOCKET, fuel hose (to 65750-98501) | 1 | DT9.9F |
| 8 | 65770-99700 | •PUMP, squeeze (to 65770-99701) | 1 | DT14F |
| 9 | 09401-13402 | •CLIP | 3 | DT16F |
| 10 | 09401-11402 | CLIP | 1 | |
| 11 | 65700-95210 | HOSE, fuel | 1 | |
| 12 | 65750-99700 | •SOCKET, fuel hose | 1 | DT20F |
| 13 | 65750-98990 | •SOCKET, fuel hose from 65750-98502 | 1 | DT25F |
| 14 | 65770-99701 | •PUMP, squeeze to 65770-99702 | 1 | DT28F |
| 15 | 09401-13402 | •CLIP | 4 | |



| Ref. No. | Part No. | Description | Q'ty | | | Remarks |
|----------|-------------|--------------------------------------|------|---|---|---|
| | | | C | D | F | |
| 1-1 | 09800-00128 | TOOL ASSY to 09800-00805 | 1 | 1 | 1 | DT9.9~DT20(C,D,F) DT25(C,D) DT25F } for Hand DT28F } starter |
| 1-2 | 09800-00179 | TOOL ASSY to 09800-00805 | - | - | 1 | DT20F } DT25F } for Electric DT28F } starter |
| 2-1 | 11400-93830 | GASKET SET, engine to 11400-93831 | 1 | 1 | - | DT9.9 |
| 2-2 | 11400-93831 | GASKET SET, engine to 11400-93832 | - | 1 | 1 | |
| 3-1 | 11400-93822 | GASKET SET, engine to 11400-93823 | 1 | 1 | - | DT14,DT16 |
| 3-2 | 11400-93823 | GASKET SET, engine | - | 1 | 1 | OPT |
| 4-1 | 11400-93850 | GASKET SET, engine to 11400-93851 | 1 | 1 | - | DT20 |
| 4-2 | 11400-93851 | GASKET SET, engine to 11400-93852 | - | 1 | 1 | |
| 5-1 | 11400-93840 | GASKET SET, engine to 11400-93860 | 1 | 1 | - | DT25,DT28 |
| 5-2 | 11400-93860 | GASKET SET, engine to 11400-93861 | - | 1 | 1 | |

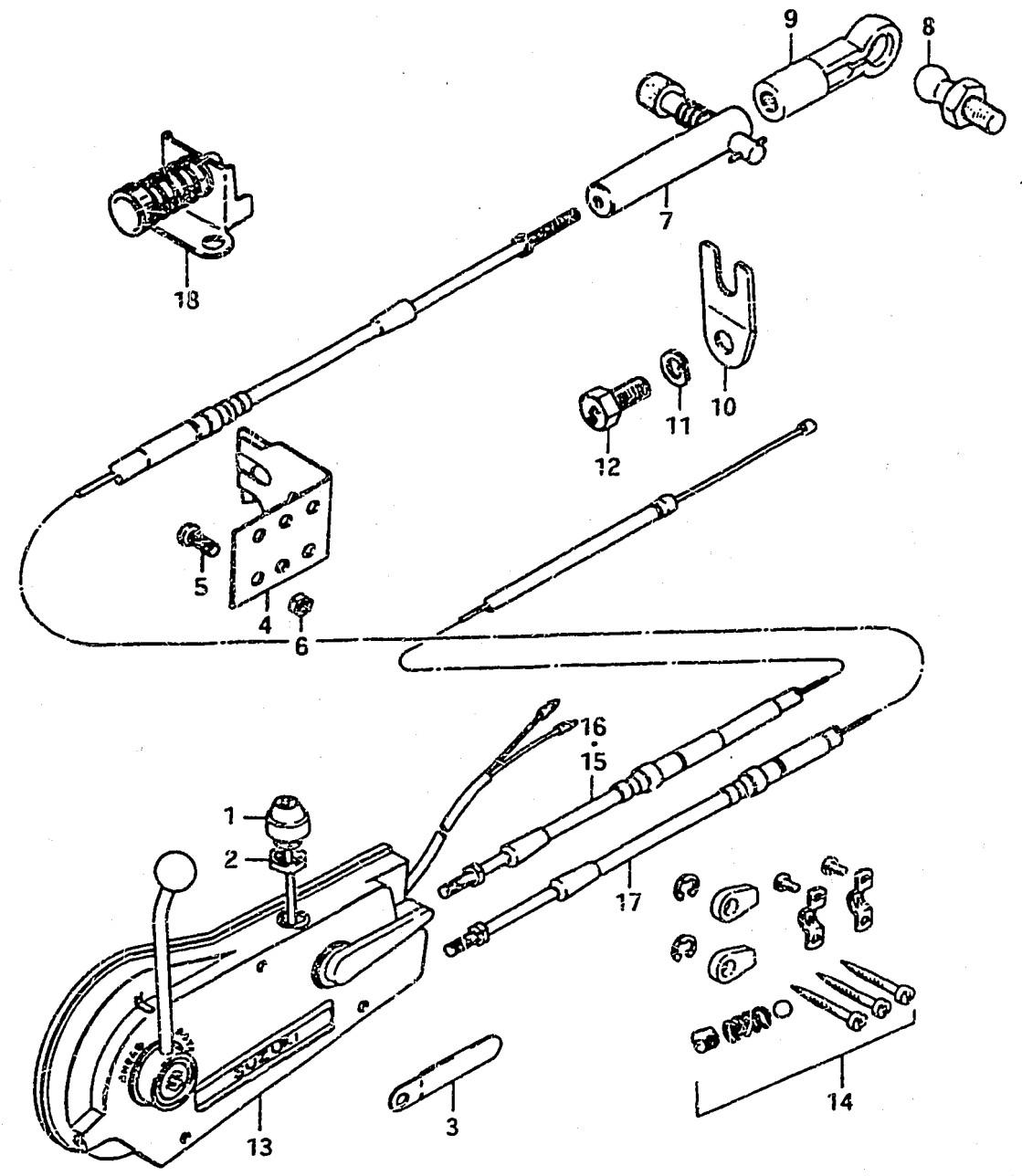


| Ref. No. | Part No. | Description | Q'ty | | | Remarks |
|----------|-------------|--------------------------------------|------|---|---|----------------------|
| | | | C | D | F | |
| 1-1 | 37800-93810 | SWITCH ASSY, emergency | 1 | 1 | - | to 37800-93811 |
| 1-2 | 37800-93812 | SWITCH ASSY, emergency | - | 1 | 1 | from 37800-93811 |
| 2 | 09125-04011 | •SCREW (4x16) | 2 | 2 | 2 | |
| 3 | 08321-21048 | •LOCK WASHER | 2 | 2 | 2 | |
| 4-1 | 32800-96810 | RECTIFIER ASSY | 1 | 1 | - | to 32800-96811 |
| 4-2 | 32800-96811 | RECTIFIER ASSY | - | 1 | 1 | |
| 5 | 32800-95720 | •RECTIFIER | 1 | 1 | 1 | |
| 6 | 02112-05258 | •SCREW | 1 | 1 | 1 | |
| 7 | 36791-95200 | •HOLDER, fuse case | 1 | 1 | 1 | |
| 8-1 | 36740-95250 | •CASE ASSY, fuse | 1 | 1 | - | to 36740-95251 |
| 8-2 | 36740-95252 | •CASE ASSY, fuse from 36740-95251 | - | 1 | 1 | DT9.9 |
| 9 | 09481-20001 | ••FUSE (20A) | 1 | 1 | 1 | DT14 |
| 10 | 09125-06020 | •SCREW, fuse case | 1 | 1 | 1 | DT16 |
| 11 | 37132-93700 | •CONNECTOR, lead wire | 1 | 1 | 1 | |
| 12 | 36998-93300 | •LEAD WIRE, earth | 1 | 1 | 1 | |
| 13 | 39602-99711 | PLUG ASSY, lamp cord | 1 | 1 | 1 | |
| 14 | 39601-96711 | CONSENT ASSY, lamp | - | 1 | 1 | |
| 15 | 02112-04208 | SCREW | - | 2 | 2 | |
| 16 | 08322-21048 | WASHER | - | 2 | 2 | |
| 17 | 32200-93830 | COIL SET, lighting | - | - | 1 | Incl. Ref. No. 12~16 |

FIG.69

L - 3

FIG.69 OPT : REMOTE CONTROL (DT9.9, DT14, DT16)



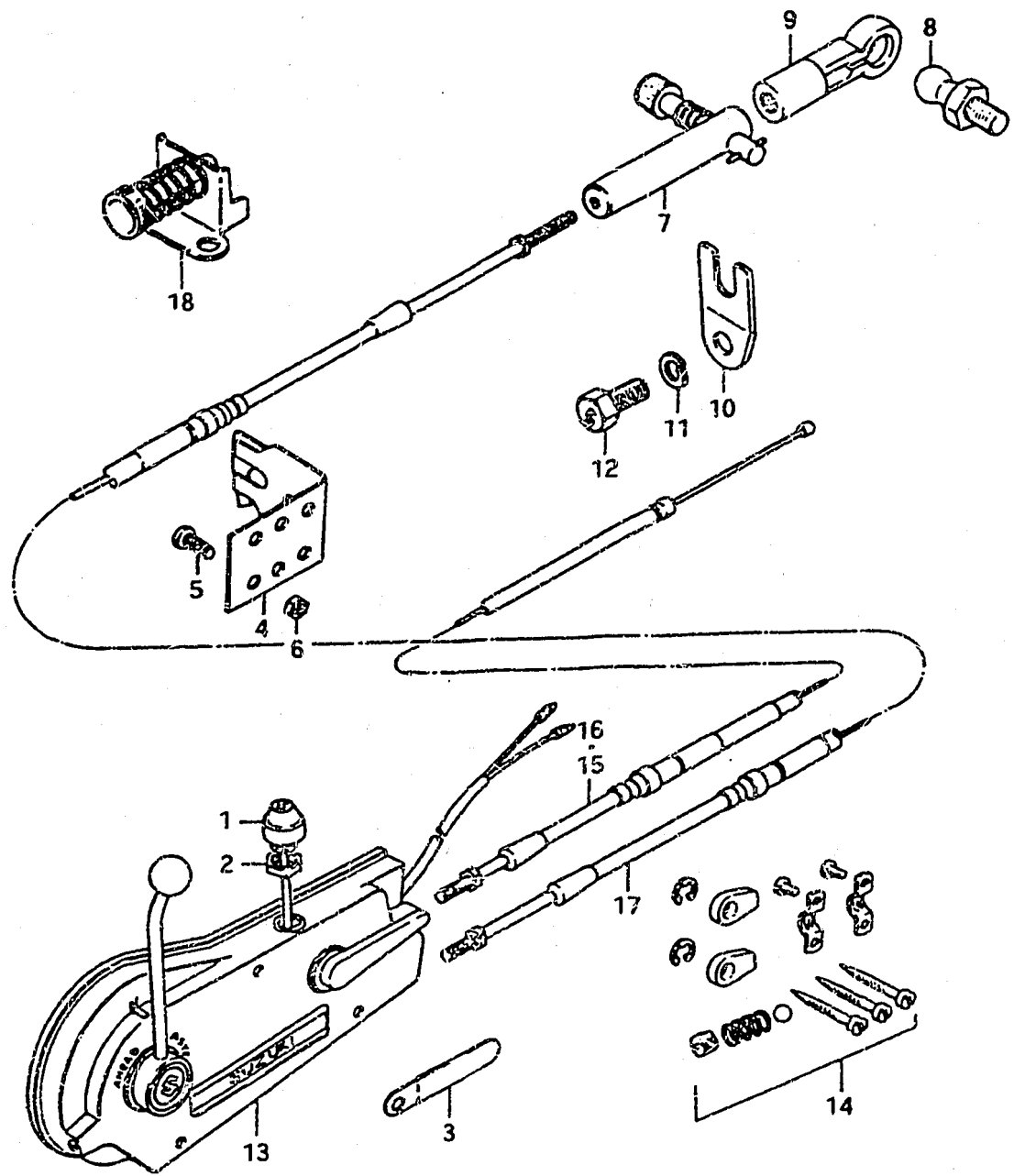
| Ref. No. | Part No. | Description | Q'ty | | | Remarks |
|----------|-------------|--------------------------------|------|---|---|----------------------------|
| | | | C | D | F | |
| 0-1 | 67130-93200 | REMOTE CONTROL PARTS ASSY | 1 | 1 | - | Ref.No.1~7 to 67130-93201 |
| 0-2 | 67130-93201 | REMOTE CONTROL PARTS ASSY | - | - | 1 | Ref.No.1~12 to 67130-93201 |
| 1-1 | 37870-93703 | ·SWITCH ASSY, engine stop | 1 | - | - | to 37870-93704 |
| 1-2 | 37870-93704 | ·SWITCH ASSY, engine stop | - | 1 | 1 | |
| 2 | 09140-14014 | ·NUT | 1 | 1 | 1 | |
| 3 | 09404-06401 | ·CLAMP (L:50) | 1 | 1 | 1 | |
| 4 | 67345-93701 | ·STOPPER, remote control cable | 1 | 1 | 1 | |
| 5 | 09125-05028 | ·SCREW | 2 | 2 | 2 | DT9.9,DT14,DT16 |
| 6 | 09140-05001 | ·NUT | 2 | 2 | 2 | |
| 7 | 67440-93701 | ·GUIDE, clutch cable | 1 | 1 | 1 | |
| 8 | 09119-06047 | ·BALL, pivot | - | - | 1 | from 09119-06039 |
| 9 | 67466-95200 | ·CONNECTOR, cable (Black) | - | - | 1 | |
| 10 | 67345-93100 | ·STOPPER, cable | - | - | 1 | |
| 11 | 09162-06001 | ·LOCK WASHER | - | - | 1 | |
| 12 | 09100-06058 | ·BOLT | - | - | 1 | |
| 13-1 | 67200-93200 | REMOTE CONTROL BOX ASSY | 1 | 1 | - | to 67200-93201 |
| 13-2 | 67200-95200 | REMOTE CONTROL BOX ASSY | - | - | 1 | to 67200-95201 |
| 14 | 67300-95810 | ·HOLDER SET | 1 | 1 | 1 | |
| 15-1 | 67310-93600 | CABLE ASSY, throttle (L:2500) | 1 | 1 | - | |
| 15-2 | 67310-93610 | CABLE ASSY, throttle (L:3000) | 1 | 1 | - | |
| 15-3 | 67310-93620 | CABLE ASSY, throttle (L:3500) | 1 | 1 | - | DT9.9 |
| 15-4 | 67310-93630 | CABLE ASSY, throttle (L:4000) | 1 | 1 | - | |
| 15-5 | 67310-93640 | CABLE ASSY, throttle (L:4500) | 1 | 1 | - | |
| 15-6 | 67310-93650 | CABLE ASSY, throttle (L:5000) | 1 | 1 | - | |

FIG.70 (L-5) : DT20 (C, D), DT25 (C, D)
 FIG.71 (L-6) : DT20F, DT25F, DT28F

FIG.69

L - 4

FIG.69 OPT : REMOTE CONTROL (DT9.9, DT14, DT16)



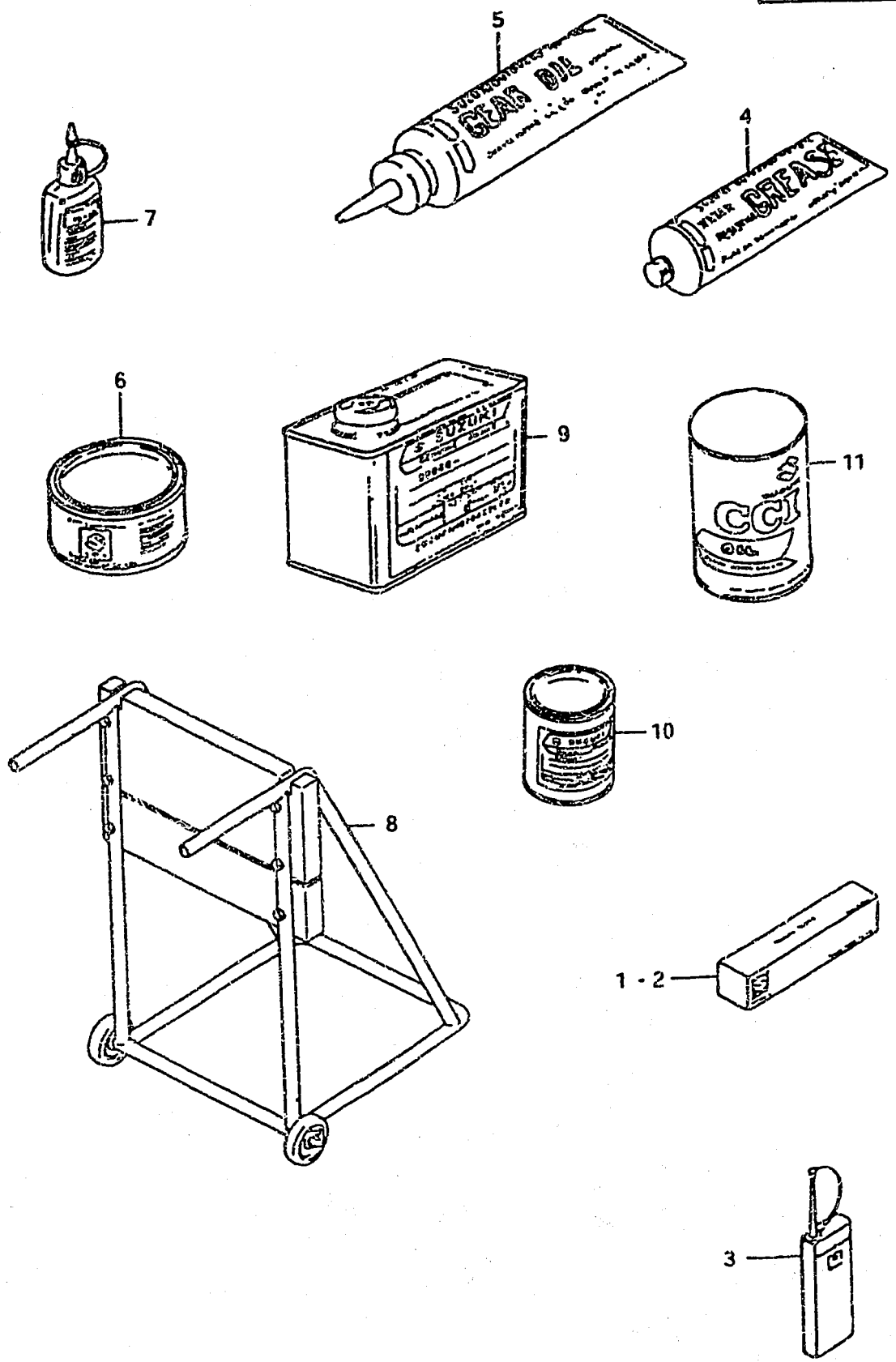
| Ref. No. | Part No. | Description | Q'ty | | | Remarks |
|----------|-------------|----------------------------------|------|---|---|-----------------|
| | | | C | D | F | |
| 16-1 | 7310-93200 | CABLE ASSY, throttle (L:2500) | 1 | 1 | - | |
| 16-2 | 67310-93210 | CABLE ASSY, throttle (L:3000) | 1 | 1 | - | |
| 16-3 | 67310-93220 | CABLE ASSY, throttle (L:3500) | 1 | 1 | - | DT14,DT16 |
| 16-4 | 67310-93230 | CABLE ASSY, throttle (L:4000) | 1 | 1 | - | |
| 16-5 | 67310-93240 | CABLE ASSY, throttle (L:4500) | 1 | 1 | - | |
| 16-6 | 67310-93250 | CABLE ASSY, throttle (L:5000) | 1 | 1 | - | |
| 17-1 | 67320-95750 | CABLE ASSY, clutch (L:2500) | 1 | 1 | 2 | |
| 17-2 | 67320-95740 | CABLE ASSY, clutch (L:3000) | 1 | 1 | 2 | |
| 17-3 | 67320-95730 | CABLE ASSY, clutch (L:3500) | 1 | 1 | 2 | DT9.9,DT14,DT16 |
| 17-4 | 67320-95720 | CABLE ASSY, clutch (L:4000) | 1 | 1 | 2 | |
| 17-5 | 67320-95710 | CABLE ASSY, clutch (L:4500) | 1 | 1 | 2 | |
| 17-6 | 67320-95200 | CABLE ASSY, clutch (L:5000) | 1 | 1 | 2 | |
| 18 | 67100-99700 | ATTACHMENT, remote control | 1 | 1 | 1 | |

FIG.70 (L-5) : DT20 (C, D), DT25 (C, D)
FIG.71 (L-6) : DT20F, DT25F, DT28F

FIG.72

L - 7

FIG.72 OPTIONAL



| Ref. No. | Part No. | Description | Qty 9.9~28 | Remarks |
|----------|-----------------|-----------------------------|---------------|--------------------------------------|
| 1 | 99000-31030 | GASKET, liquid | 1 | for crankcase,100g |
| 2 | 99000-31050 | GASKET, liquid | 1 | for gear case,100g |
| 3 | 99000-32040 | CEMENT, thread lock | 1 | 200g |
| 4-1 | 99000-25160 | GREASE, water resistant | 1 | 250g |
| 4-2 | 99000-25170 | GREASE, water resistant | 1 | 50g |
| 5 | 99000-22540 | GEAR OIL, outboard motor | 1 | 400cc |
| 6 | 99000-25010 | SUZUKI SUPER GREASE A | 1 | 450g,for crank oil seal |
| 7 | 99000-32030 | SUZUKI LOCK SUPER | 1 | 50g (1303B) |
| 8-1 | 09914-39941 | HANGER, engine | 1 | DT9.9,DT14 DT16,DT20 DT25,DT28 |
| 8-2 | 09914-39950 | HANGER, engine | 1 | |
| 9-1 | 99000-10105-01T | PAINT (Francois White No.2) | 1 | |
| 9-2 | 99000-10205-01J | PAINT (Andes Blue Metallic) | 1 | 500g |
| 10-1 | 99000-10109-01T | PAINT (Francois White No.2) | 1 | 90g |
| 10-2 | 99000-10209-01J | PAINT (Andes Blue Metallic) | 1 | |
| 11-1 | 99000-21460 | CCI OIL (12x24,MITSUBISHI) | 1 | |
| 11-2 | 99000-21145 | CCI OIL (12x24,SHELL) | 1 | |
| 11-3 | 99000-21021 | CCI OIL (42x6) | 1 | |
| 11-4 | 99000-21150 | CCI OIL (200) | 1 | |
| 11-5 | 99000-21250 | CCI SUPER OIL (12x24) | 1 | |
| 11-6 | 99000-21260 | CCI SUPER OIL (42x6) | 1 | |